

1 Unilift AP12.40.06.1



{\_QM\_CONTROL}

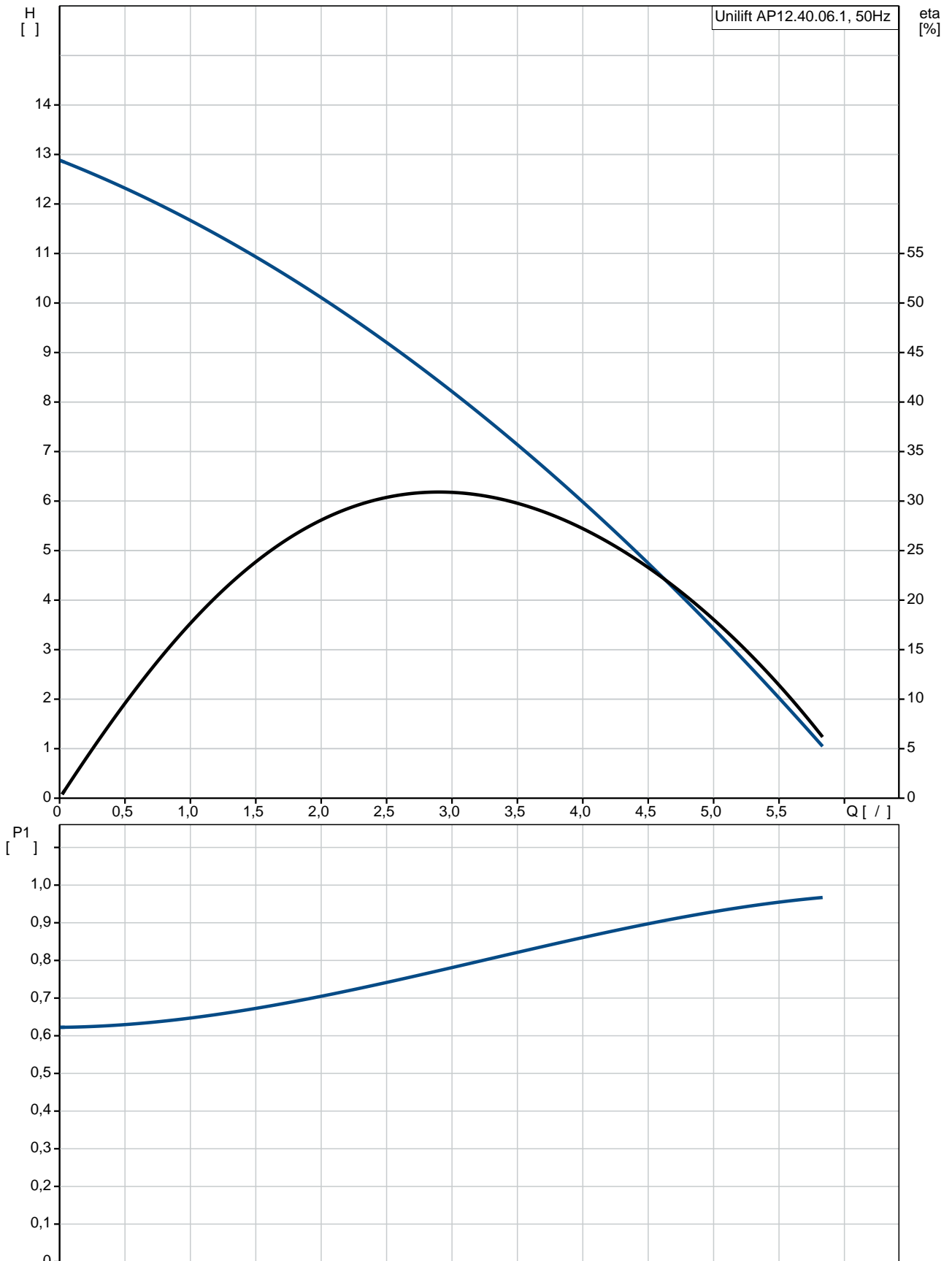
: 0..55 °C  
998.2 / 3

: 12

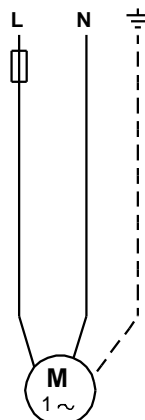
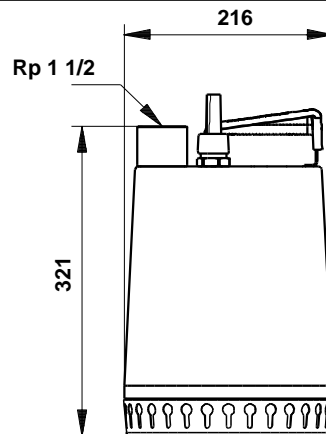
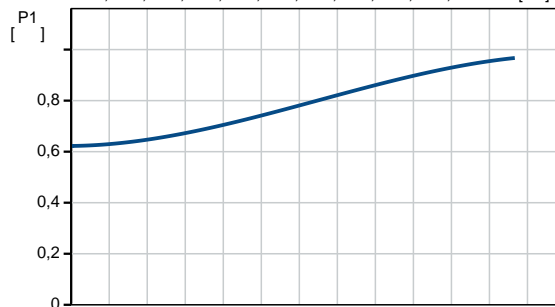
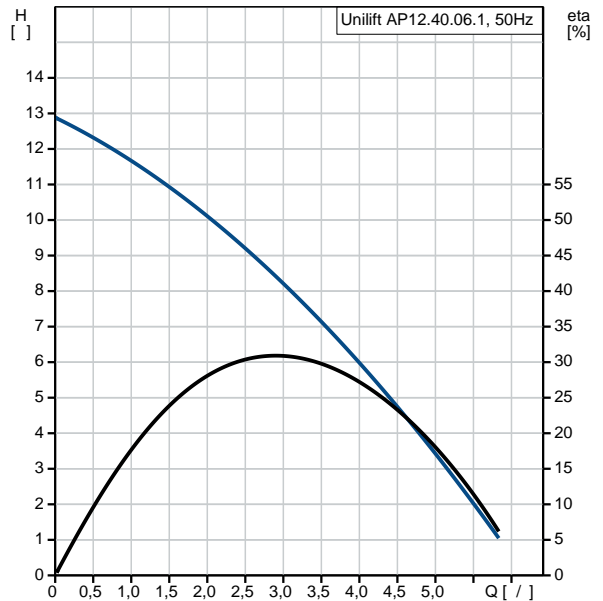
DIN W.-Nr. 1.4301

|           |                    |                   |
|-----------|--------------------|-------------------|
|           |                    | AISI 304          |
|           |                    | DIN W.-Nr. 1.4301 |
|           |                    | AISI 304          |
|           |                    | Rp 1 1/2          |
|           |                    | : 7               |
|           |                    | PSC               |
|           |                    | - P1: 0.9         |
|           |                    | : 50 Hz           |
|           |                    | : 1 x 230         |
|           |                    | 4.4 A             |
| Cos phi - | -                  | : 0,99            |
|           |                    | : 2785 /          |
|           |                    | : 16 /400         |
|           | (IEC 34-5):        | IP68              |
|           | (IEC 85):          | F                 |
|           |                    | 10                |
|           |                    | SCHUKO            |
|           |                    | 12                |
|           |                    | 12.1              |
|           | Danish VVS No.:    | 391313111         |
|           | Swedish RSK No.:   | 5885772           |
|           | Finnish:           | LVI NO 4822517    |
|           | Norwegian NRF no.: | NRF NO 9045609    |

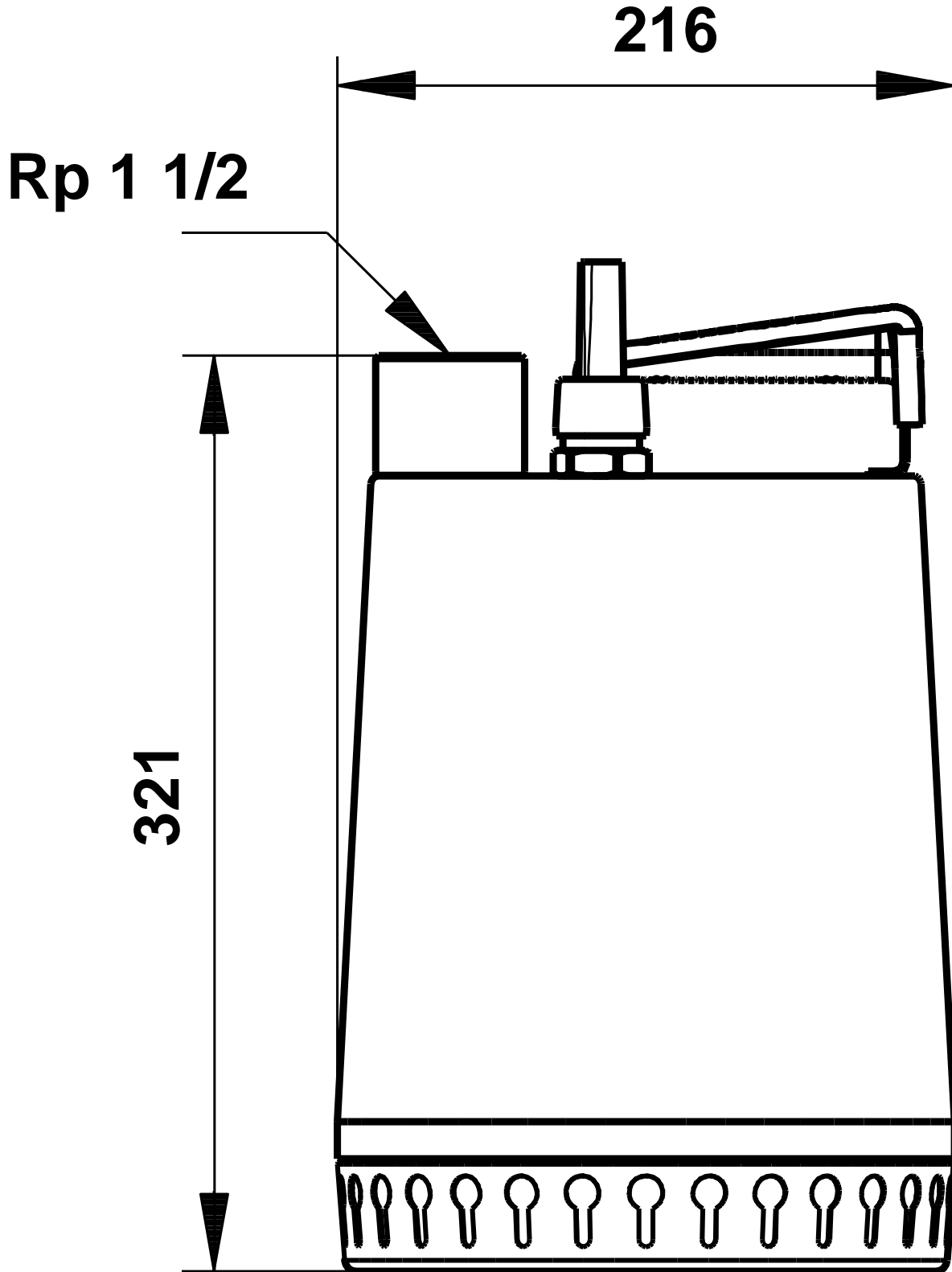
## Unilift AP12.40.06.1 50



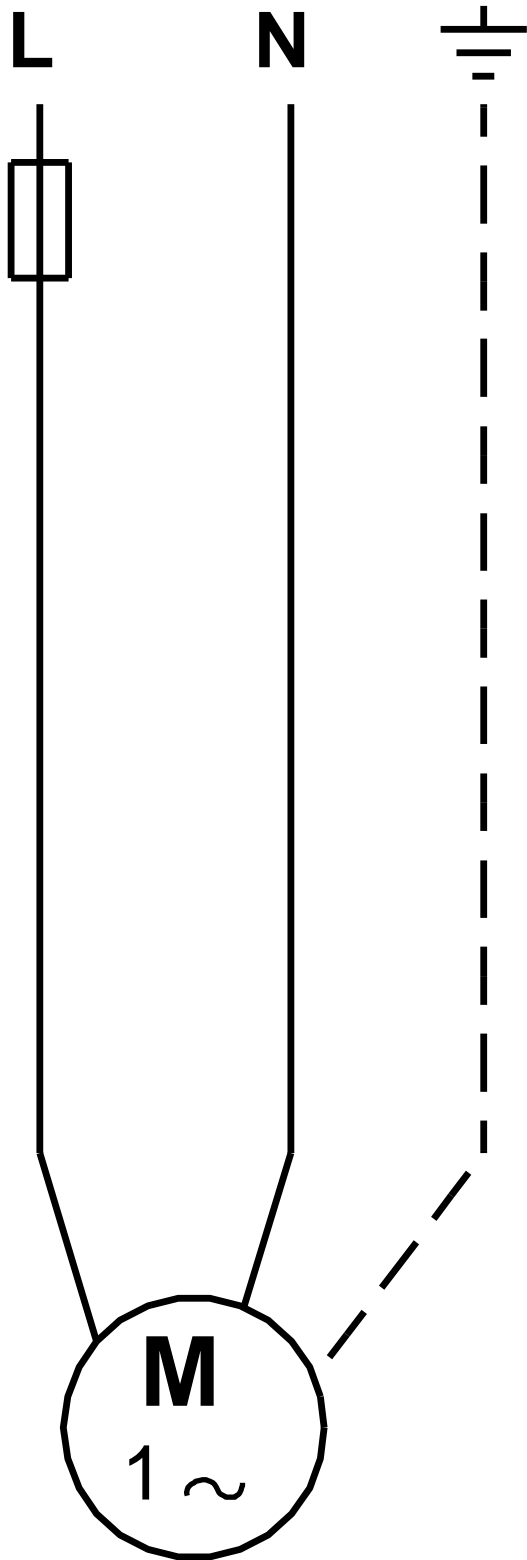
|                      |                               |
|----------------------|-------------------------------|
| Unilift AP12.40.06.1 |                               |
| EAN                  |                               |
| Ma                   | 5 / 13                        |
|                      | 12                            |
|                      | DIN W.-Nr. 1.4301<br>AISI 304 |
|                      | DIN W.-Nr. 1.4301<br>AISI 304 |
|                      | Rp 1 1/2                      |
|                      | 7                             |
|                      | D/S                           |
|                      | 0 .. 55 °C                    |
|                      | 998.2 / 3                     |
|                      | PSC                           |
|                      | - P1: 0.9                     |
| P2:                  | 0.6                           |
|                      | 50 Hz                         |
|                      | 1 x 230                       |
|                      | 4.4 A                         |
| Cos phi -            | 0,99                          |
|                      | 2785 /                        |
|                      | 16 /400                       |
| (IEC 34-5):          | IP68                          |
| (IEC 85):            | F                             |
|                      | CONTACT                       |
|                      | 10                            |
|                      | SCHUKO                        |
|                      | 12                            |
|                      | 12.1                          |
| Danish VVS No.:      | 391313111                     |
| Swedish RSK No.:     | 5885772                       |
| Finnish:             | LVI NO 4822517                |
| Norwegian NRF no.:   | NRF NO 9045609                |



**Unilift AP12.40.06.1 50**



**Unilift AP12.40.06.1 50**



! [ ], .