

1 Unilift AP12.40.06.A1



12

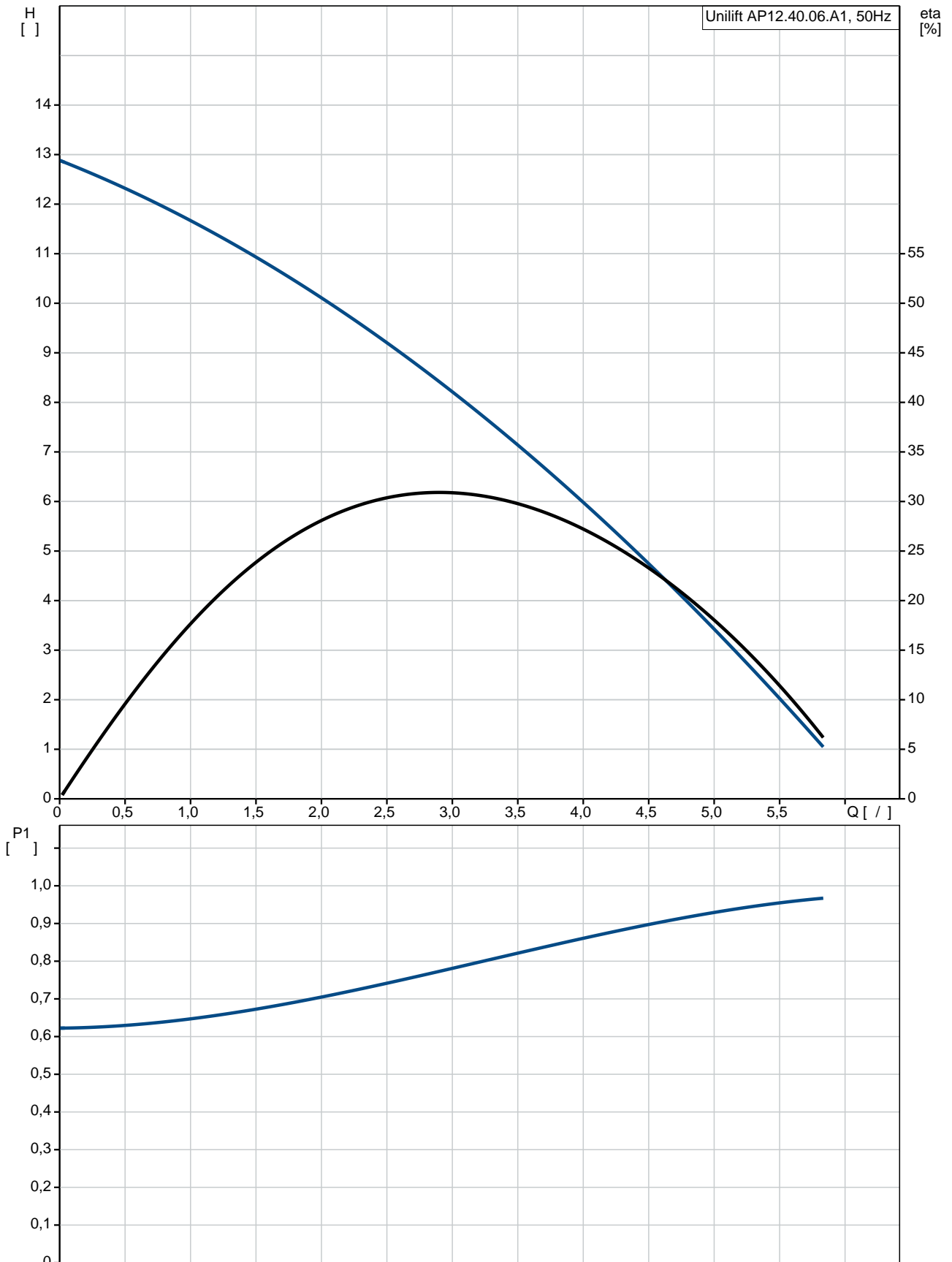
10

: 0 .. 55 °C
998.2 / 3

: 12

		DIN W.-Nr. 1.4301
		AISI 304
		DIN W.-Nr. 1.4301
		AISI 304
		Rp 1 1/2
		: 7
		PSC
		- P1: 0.9
		: 50 Hz
		: 1 x 230
		4.4 A
Cos phi -	-	: 0,99
		: 2785 /
		: 16 /400
	(IEC 34-5):	IP68
	(IEC 85):	F
		: 10
		: SCHUKO
		12
		12.5
	Danish VVS No.:	391313311
	Swedish RSK No.:	5885773
	Finnish:	LVI NO 4822519
	Norwegian NRF no.:	NRF NO 9045607

Unilift AP12.40.06.A1 50



Unilift AP12.40.06.A1

EAN :

Ma : 5 /

13

12

DIN W.-Nr. 1.4301
AISI 304

DIN W.-Nr. 1.4301
AISI 304

Rp 1 1/2

7

D/S

0 .. 55 °C

998.2 / 3

PSC

- P1: 0.9

P2: 0.6

50 Hz

1 x 230

4.4 A

Cos phi - : 0,99

2785 /

16 /400

(IEC 34-5): IP68

(IEC 85): F

CONTACT

10

SCHUKO

12

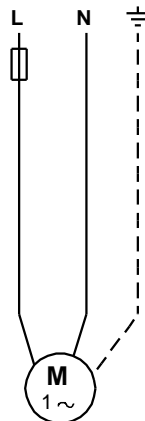
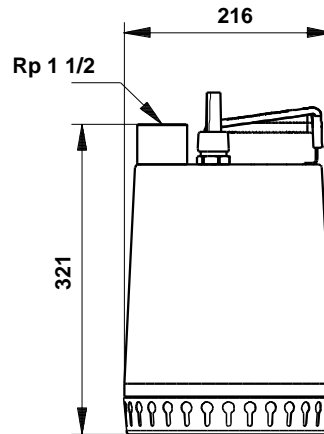
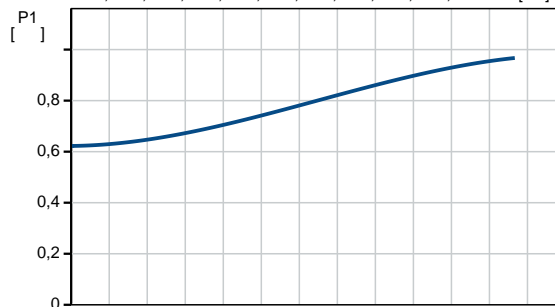
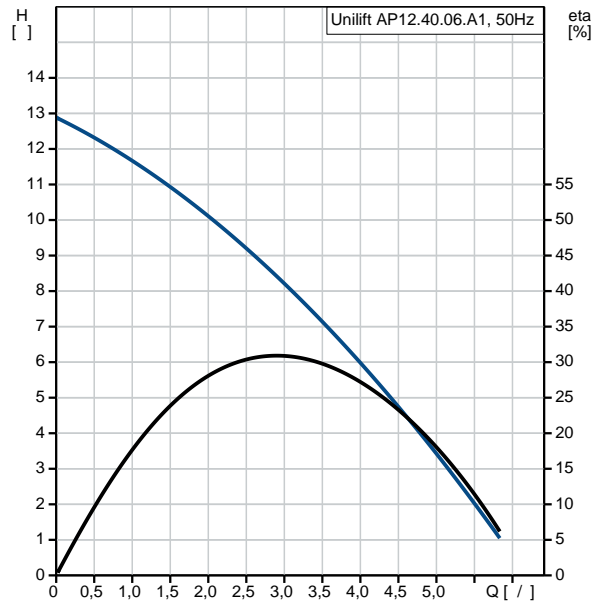
12.5

Danish VVS No.: 391313311

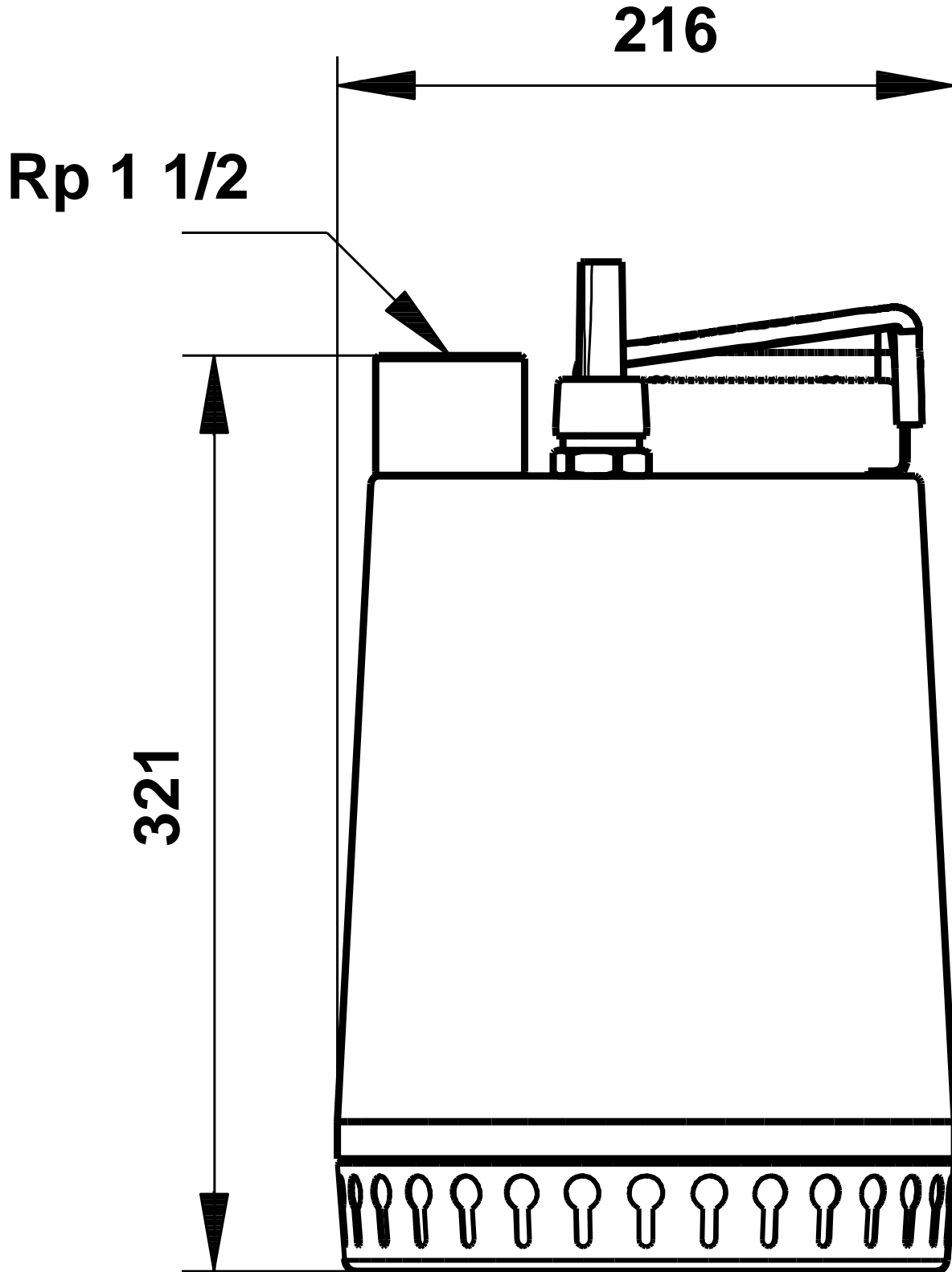
Swedish RSK No.: 5885773

Finnish: LVI NO 4822519

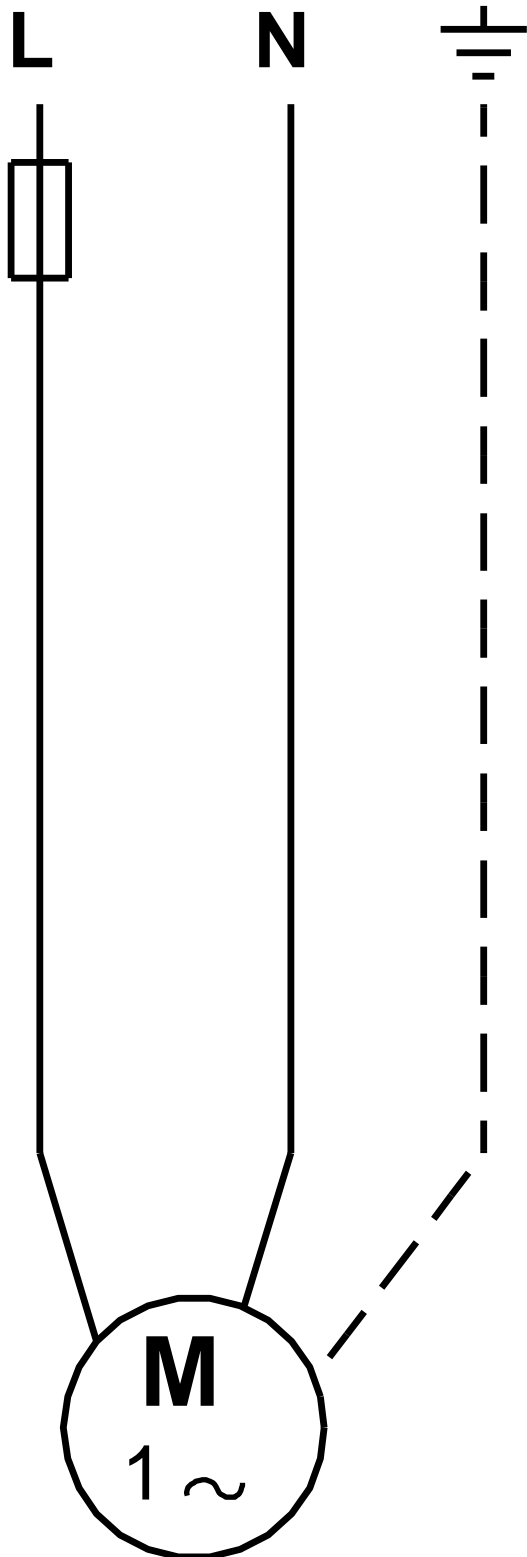
Norwegian NRF no.: NRF NO 9045607



Unilift AP12.40.06.A1 50



Unilift AP12.40.06.A1 50



! [], .