

1 Unilift AP12.40.08.A1



12

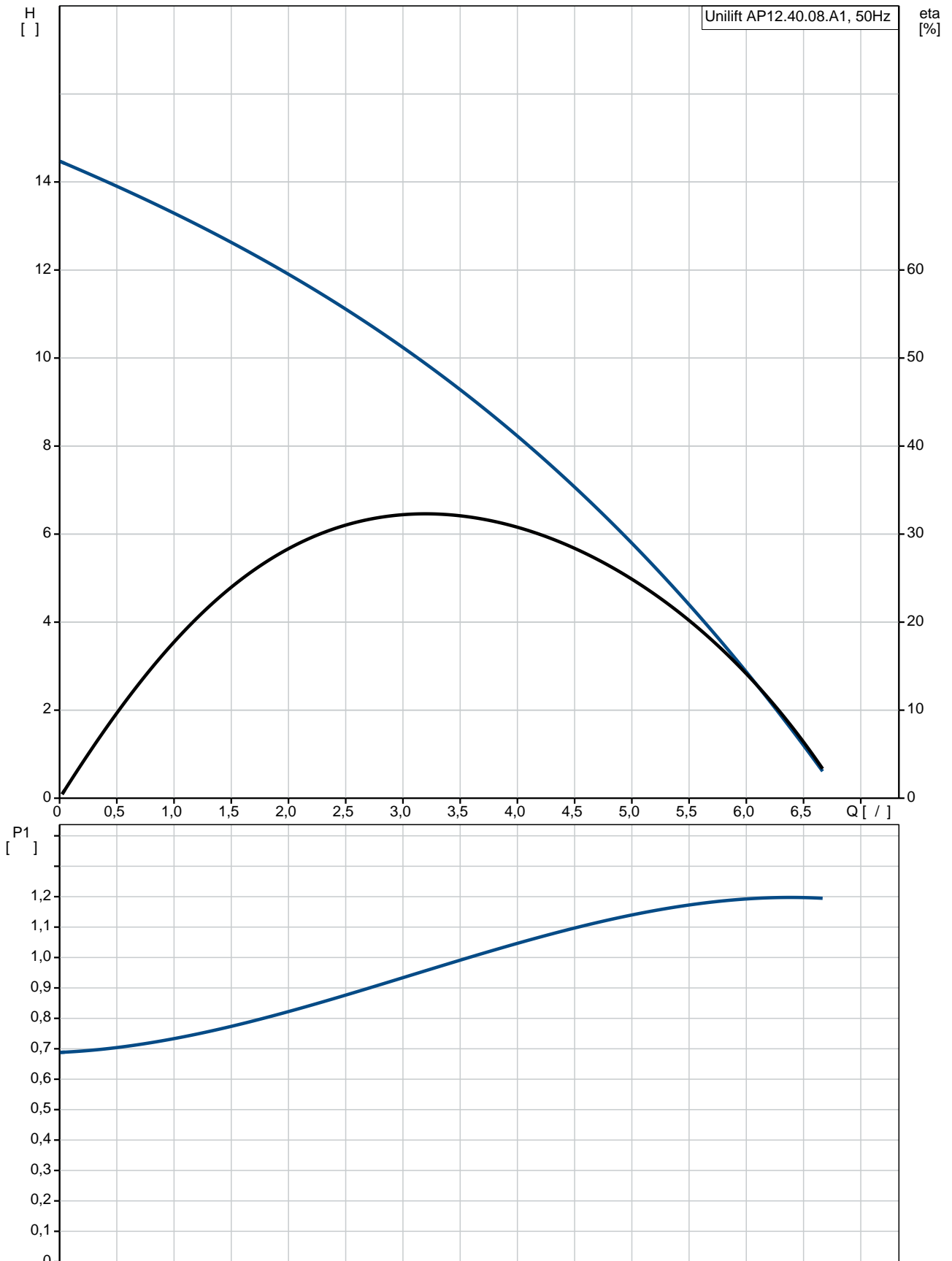
10

: 0..55 °C
998.2 / 3

: 12

		DIN W.-Nr. 1.4301
		AISI 304
		DIN W.-Nr. 1.4301
		AISI 304
		Rp 1 1/2
		: 7
		PSC
		- P1: 1.3
		: 50 Hz
		: 1 x 230
		5.9 A
Cos phi -	-	: 0,99
		: 2780 /
		: 16 /400
	(IEC 34-5):	IP68
	(IEC 85):	F
		: 10
		: SCHUKO
		14.1
		14.8
	Danish VVS No.:	391313331
	Swedish RSK No.:	5885777
	Finnish:	LVI NO 4822531
	Norwegian NRF no.:	NRF NO 9045611

Unilift AP12.40.08.A1 50



Unilift AP12.40.08.A1

EAN :

Ma : 5.83 /

15

12

DIN W.-Nr. 1.4301
AISI 304

DIN W.-Nr. 1.4301
AISI 304

Rp 1 1/2

7

D/S

0 .. 55 °C

998.2 / 3

PSC

- P1: 1.3

P2: 0.8

50 Hz

1 x 230

5.9 A

Cos phi - : 0,99

2780 /

16 /400

(IEC 34-5): IP68

(IEC 85): F

CONTACT

10

SCHUKO

14.1

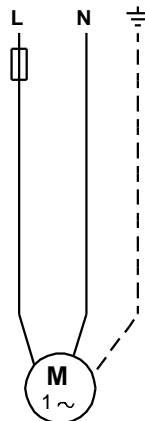
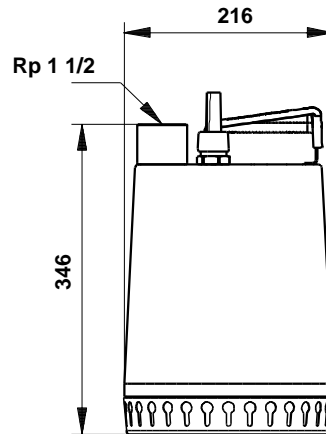
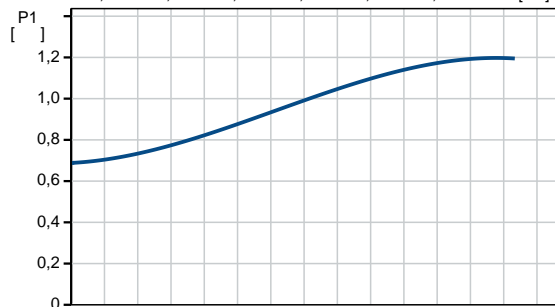
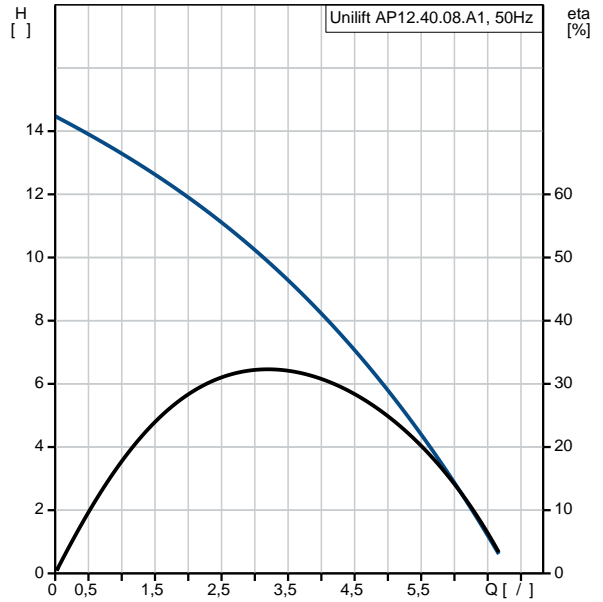
14.8

Danish VVS No.: 391313331

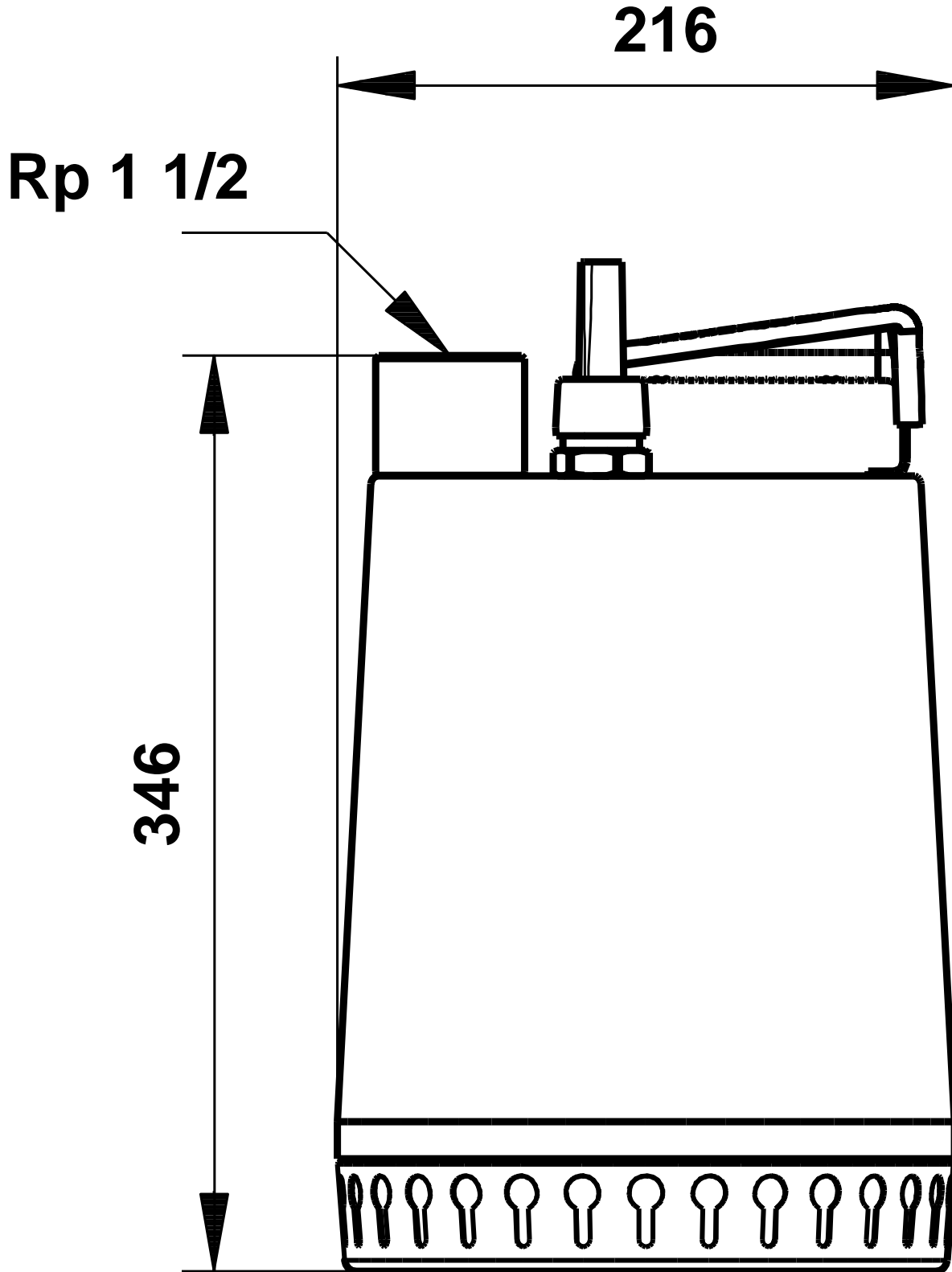
Swedish RSK No.: 5885777

Finnish: LVI NO 4822531

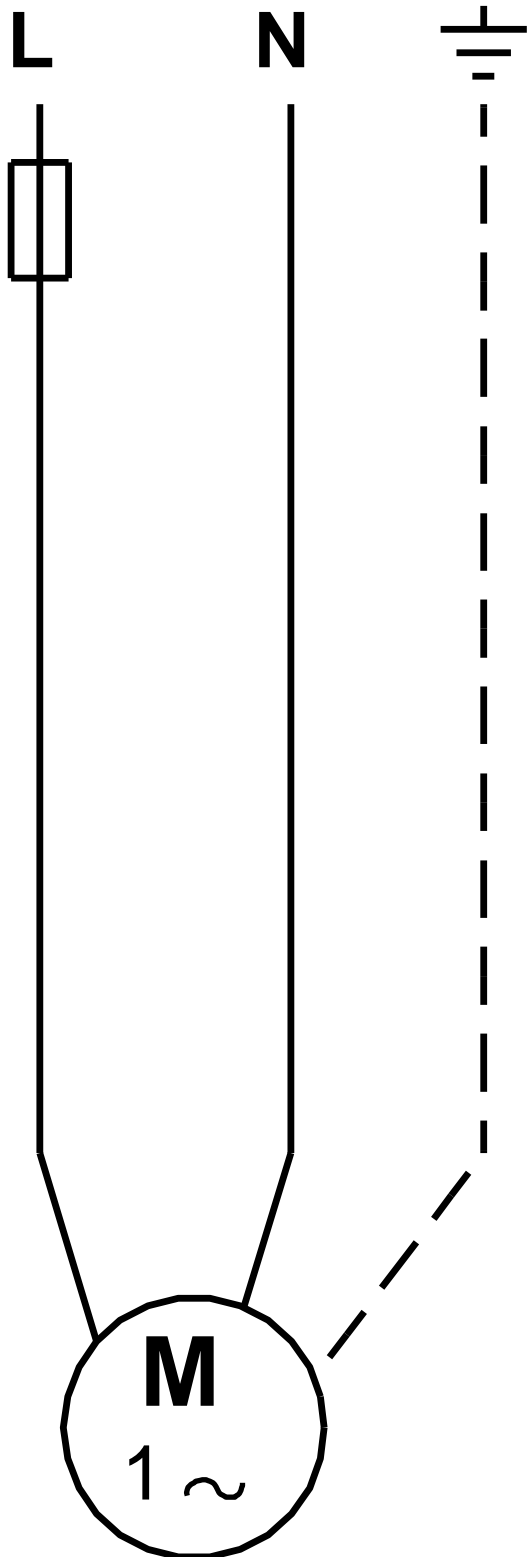
Norwegian NRF no.: NRF NO 9045611



Unilift AP12.40.08.A1 50



Unilift AP12.40.08.A1 50



! [], .