

1 Unilift AP12.50.11.A1



12

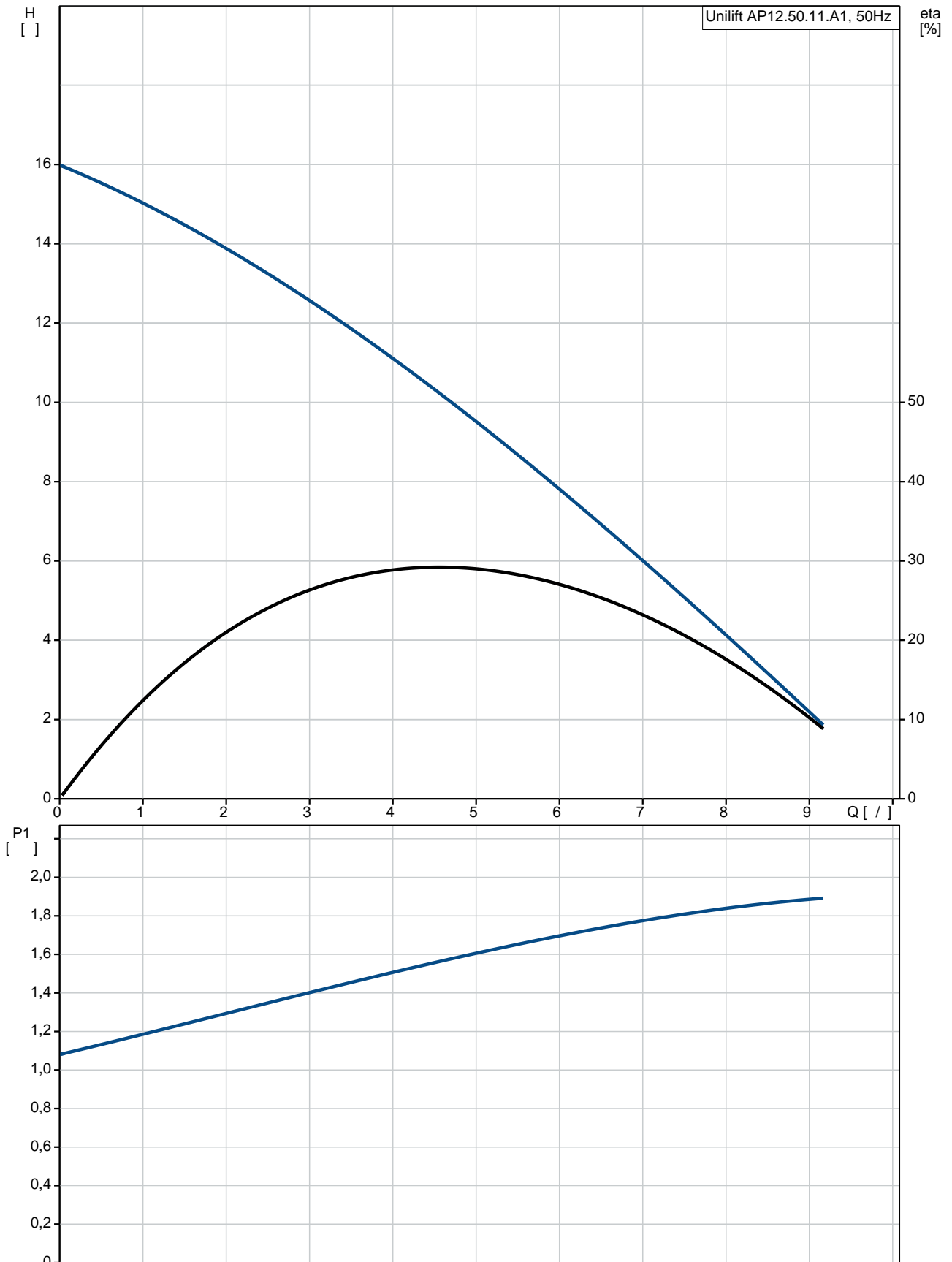
10

: 0 .. 55 °C
998.2 / 3

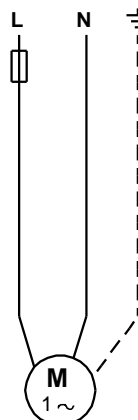
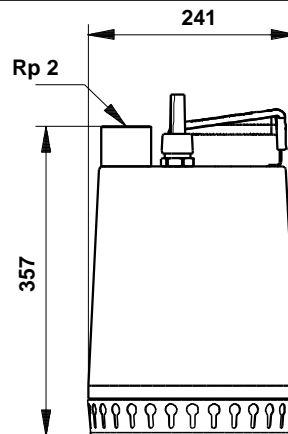
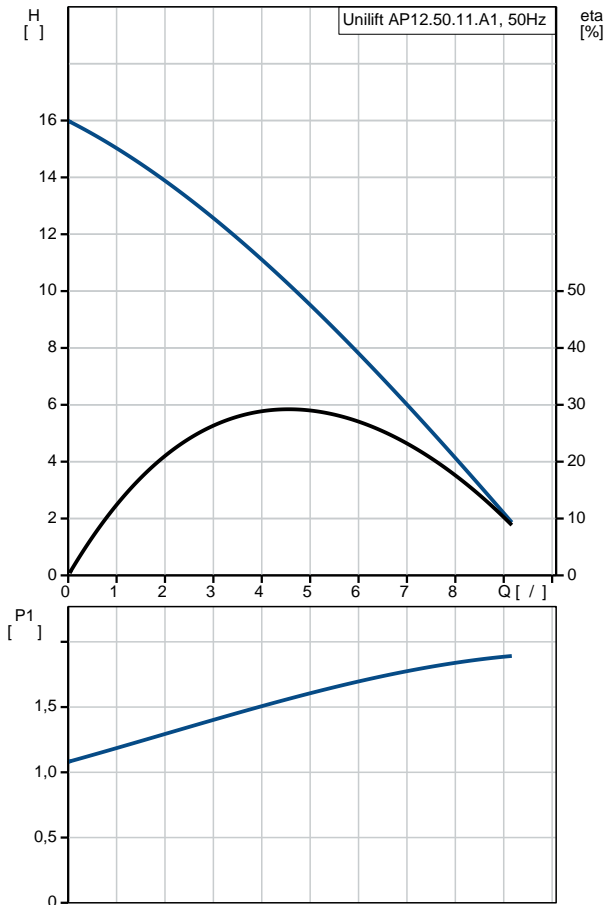
: 12

| | | |
|-----------|--------------------|-------------------|
| | | DIN W.-Nr. 1.4301 |
| | | AISI 304 |
| | | |
| | | DIN W.-Nr. 1.4301 |
| | | AISI 304 |
| | | |
| | | Rp 2 |
| | | : 7 |
| | | |
| | | PSC |
| | | - P1: 1.7 |
| | | : 50 Hz |
| | | : 1 x 230 |
| | | 8.5 A |
| Cos phi - | - | : 0,92 |
| | | : 2760 / |
| | | : 20 /400 |
| | (IEC 34-5): | IP68 |
| | (IEC 85): | F |
| | | 10 |
| | | SCHUKO |
| | | |
| | | 15.9 |
| | | 16.7 |
| | Danish VVS No.: | 391313312 |
| | Swedish RSK No.: | 5885781 |
| | Norwegian NRF no.: | NRF NO 9045615 |

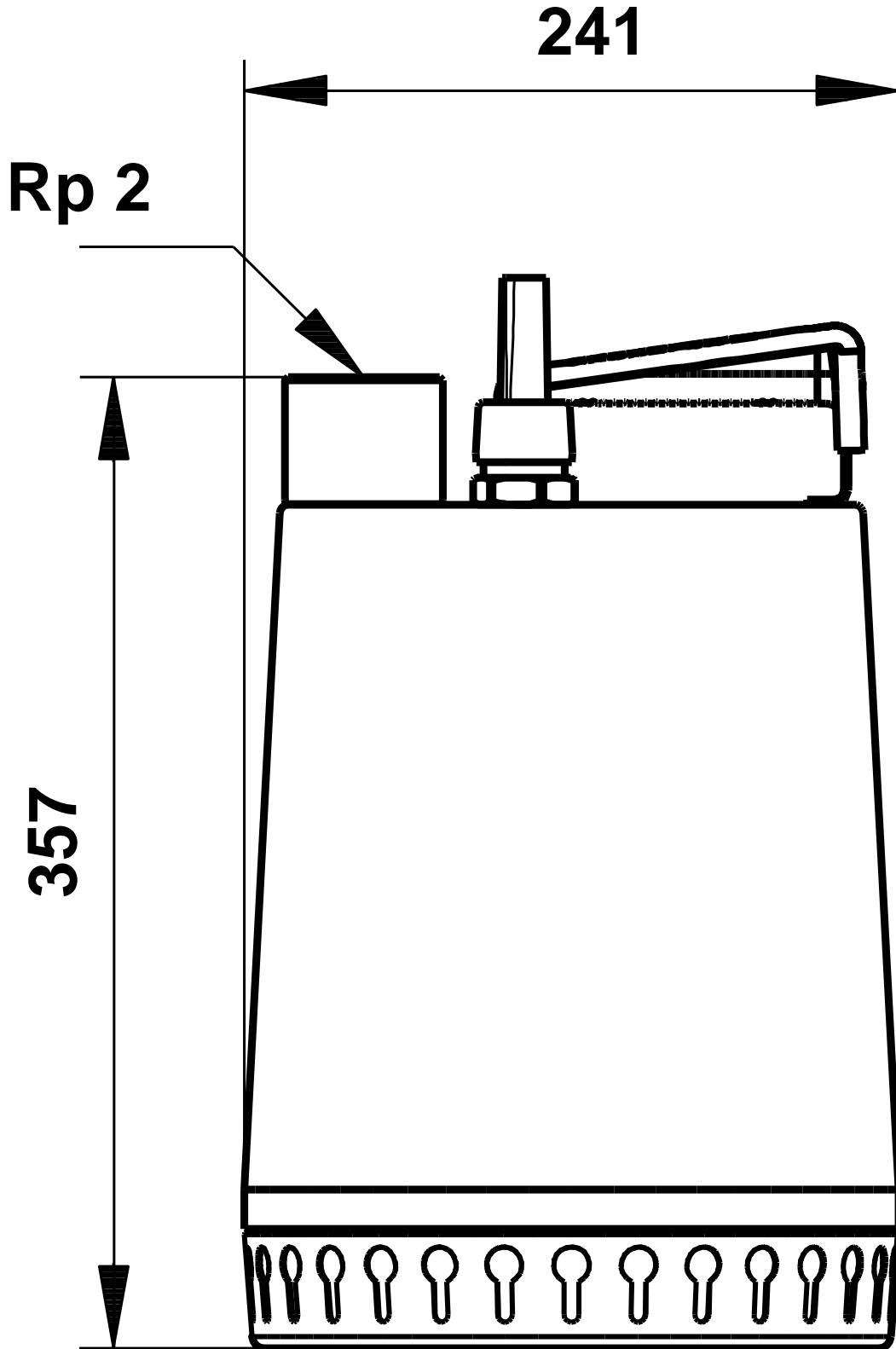
Unilift AP12.50.11.A1 50



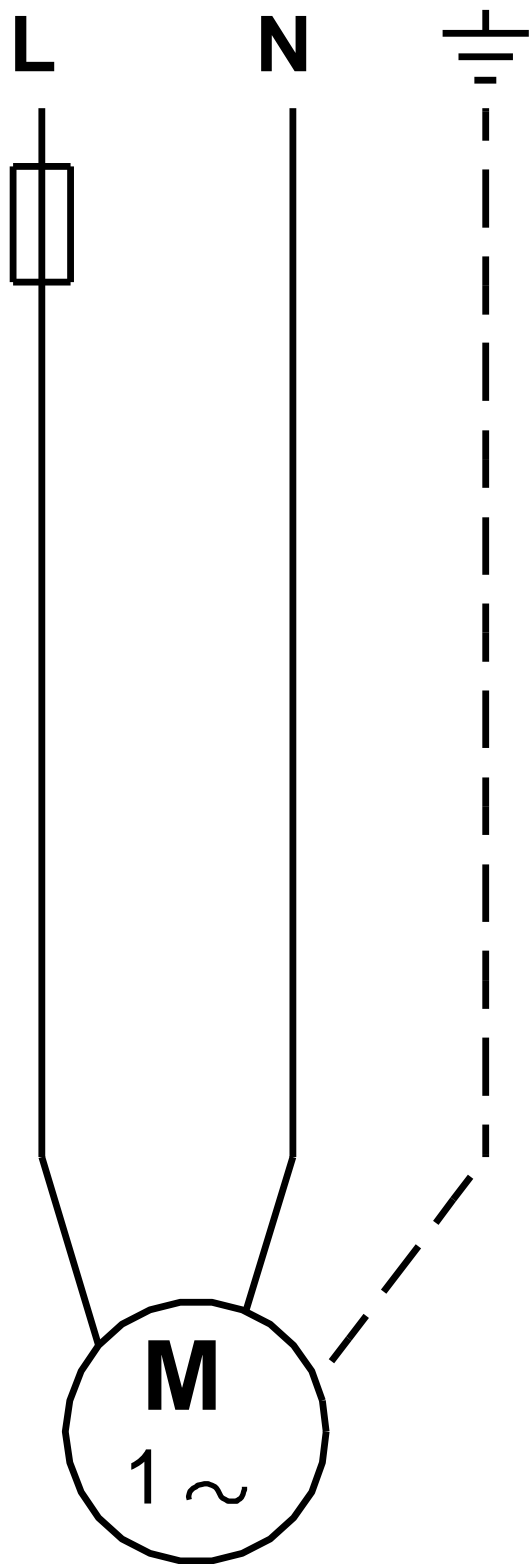
| | |
|-----------------------|-------------------------------|
| Unilift AP12.50.11.A1 | |
| EAN | |
| Ma | 8.33 / 17 |
| | 12 |
| | DIN W.-Nr. 1.4301 AISI 304 |
| | DIN W.-Nr. 1.4301 AISI 304 |
| | Rp 2 |
| | 7 |
| | D/S |
| | 0 .. 55 °C |
| | 998.2 / 3 |
| | PSC |
| | - P1: 1.7 |
| P2: | 1.1 |
| | 50 Hz |
| | 1 x 230 |
| | 8.5 A |
| Cos phi - | 0,92 |
| | 2760 / |
| | 20 /400 |
| (IEC 34-5): | IP68 |
| (IEC 85): | F |
| | CONTACT |
| | 10 |
| | SCHUKO |
| | 15.9 |
| | 16.7 |
| Danish VVS No.: | 391313312 |
| Swedish RSK No.: | 5885781 |
| Norwegian NRF no.: | NRF NO 9045615 |



Unilift AP12.50.11.A1 50



Unilift AP12.50.11.A1 50



! [], .