

40. MAGNA

1 x 230-240 V, 50/60 Hz

Model E

Pump type	Pump number	Pump head	Terminal box	Seal kit	Drawing
MAGNA 32-120 F	96513625	96513648	96513647		
MAGNA 32-120 FN	96513643	96513648	96513647		
MAGNA 32-120 F (D)	96513629	96513648	96513647		
MAGNA 40-120 F	96513626	96513649	96513647		
MAGNA 40-120 FN	96513644	96513649	96513647		
MAGNA 40-120 F (D)	96513640	96513649	96513647		
MAGNA 50-60 F	96513627	96513660	96513647		
MAGNA 50-60 FN	96513645	96513660	96513647		
MAGNA 50-60 F (D)	96513641	96513660	96513647		
MAGNA 50-120 F	96504872	96499918	96500020	96406940	1
MAGNA 50-120 F (D)	96504874	96499918	96500020		
MAGNA 50-120 FN	96504876	96499918	96500020		
MAGNA 65-60 F	96513628	96513661	96513647		
MAGNA 65-60 FN	96513646	96513661	96513647		
MAGNA 65-60 F (D)	96513642	96513661	96513647		
MAGNA 65-120 F	96504873	96499919	96500020		
MAGNA 65-120 F	96504875	96499919	96500020		
MAGNA 65-120 FN (D)	96504877	96499919	96500020		

Pump head content

Pos.	Description	Drawing 1
12	Split cone	
17	Inspection screw	1
48	Spilt cone nut	1
49	Impeller complete	1
49b	Split cone	1
59	Bearing plate	1
61	Stop ring	1
72a	O-ring/gasket	1
76	Nameplate	1
100	O-ring	1
109	O-ring	1
148	Rotor can with bearing (158a)	1
153	Bearing	1
159	Rubber for bearing	1
172	Shaft with rotor	1
175	Screw	3

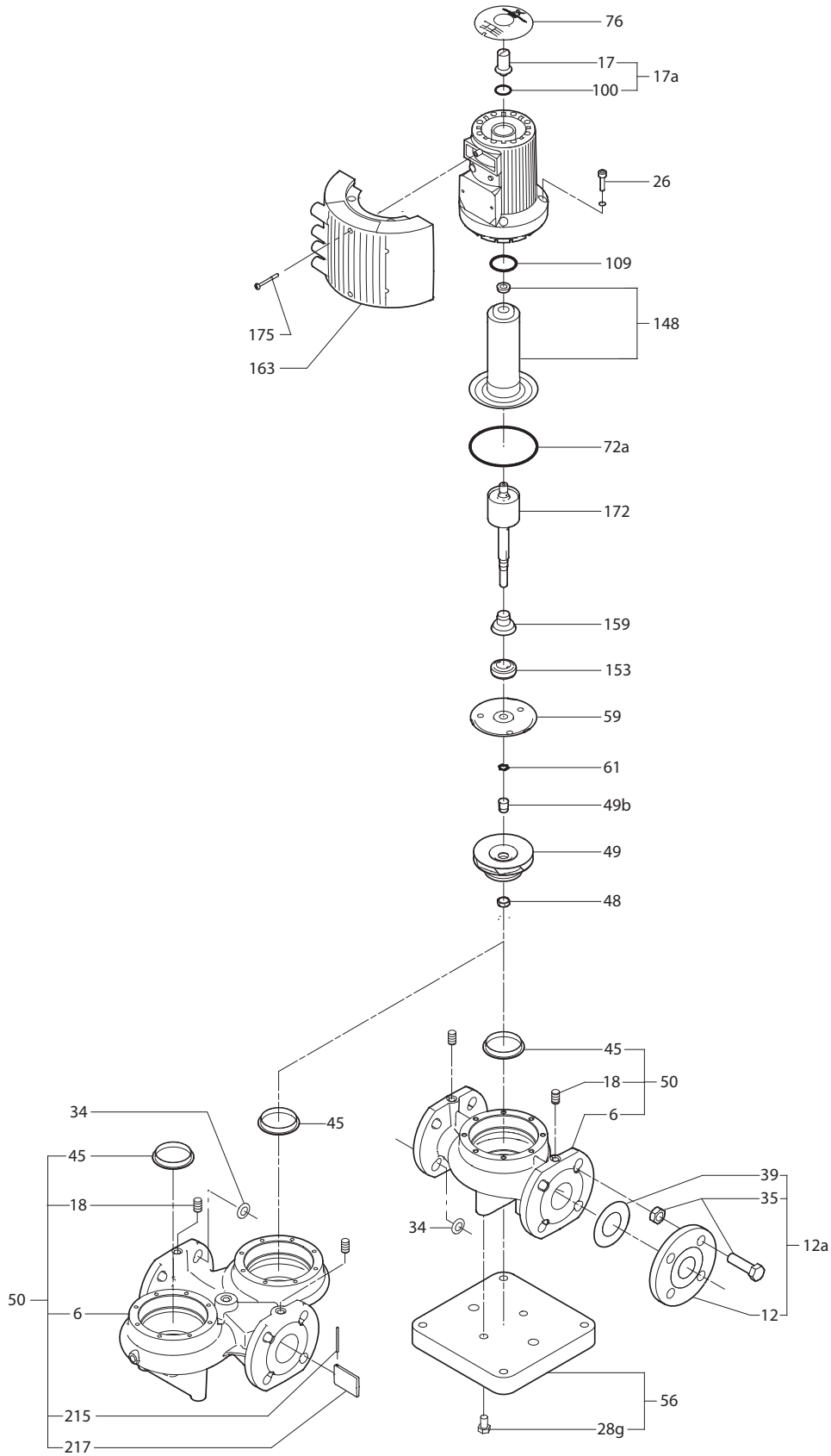
Seal kit content

Pos.	Description	Quantity
72a	O-ring 155 x 4	1
	O-ring 113 x 3	1
100	O-ring 18 x 4	1
-	O-ring for pressure sensor 7 x 1.5	1
-	Gasket for pressure sensor 30/24 x 2	1
-	Gasket for cylinder part on pressure sensor	1
19d	O-ring for pressure sensor 15 x 3	1

Terminal box content

Pos.	Description	Drawing 1
26	Screw	2
163	Terminal box complete	1
175	Screw	3

Drawing 1



TM02 1119 3404

1 x 230-240 V

Pump type	Pump number	Pump head	Terminal box	Drawing
MAGNA 25-40	96817929 96817931	96817961	97752743	
MAGNA 25-60	96281022	96281047	97752743	
MAGNA 25-80	97691265			
MAGNA 25-80	97691267			
MAGNA 25-80 N	97691268	97752745	97752743	
MAGNA 25-80 N	97691269			
MAGNA 25-100	96281015	96281049	97752743	
MAGNA 32-40	96817952 96817953	96817972	97752743	
MAGNA 32-40 N	96817954 96817956	96817972	97752743	
MAGNA 32-60	96281023	96281048	97752743	
MAGNA 32-60 N	96700323 96748695	96281048	97752743	
MAGNA 32-80	97691270			
MAGNA 32-80	97691271			2
MAGNA 32-80 N	97691272			
MAGNA 32-80 N	97691273	97752747	97752743	
MAGNA 32-80 F	97691276			
MAGNA 32-80 F	97691279			
MAGNA 32-100	96281016	96281050	97752743	
MAGNA 32-100 N	96281017	96281050	97752743	
MAGNA 32-100 F	96281018	96281050	97752743	
MAGNA 40-60 F	97691280			
MAGNA 40-60 F	97691281	97752749	97752743	
MAGNA 40-80 F	97711652			
MAGNA 40-80 F	97711653	97752750	97752743	
MAGNA 40-100 F	96281019	96281051	97752743	
MAGNA 40-100 F (D)	96281021	96281051	97752743	
MAGNA 50-100 F	96281020	96281052	97752743	

Cable for twin-head pump

Pos.	Description/ kit No	605779
-	Communication cable	1

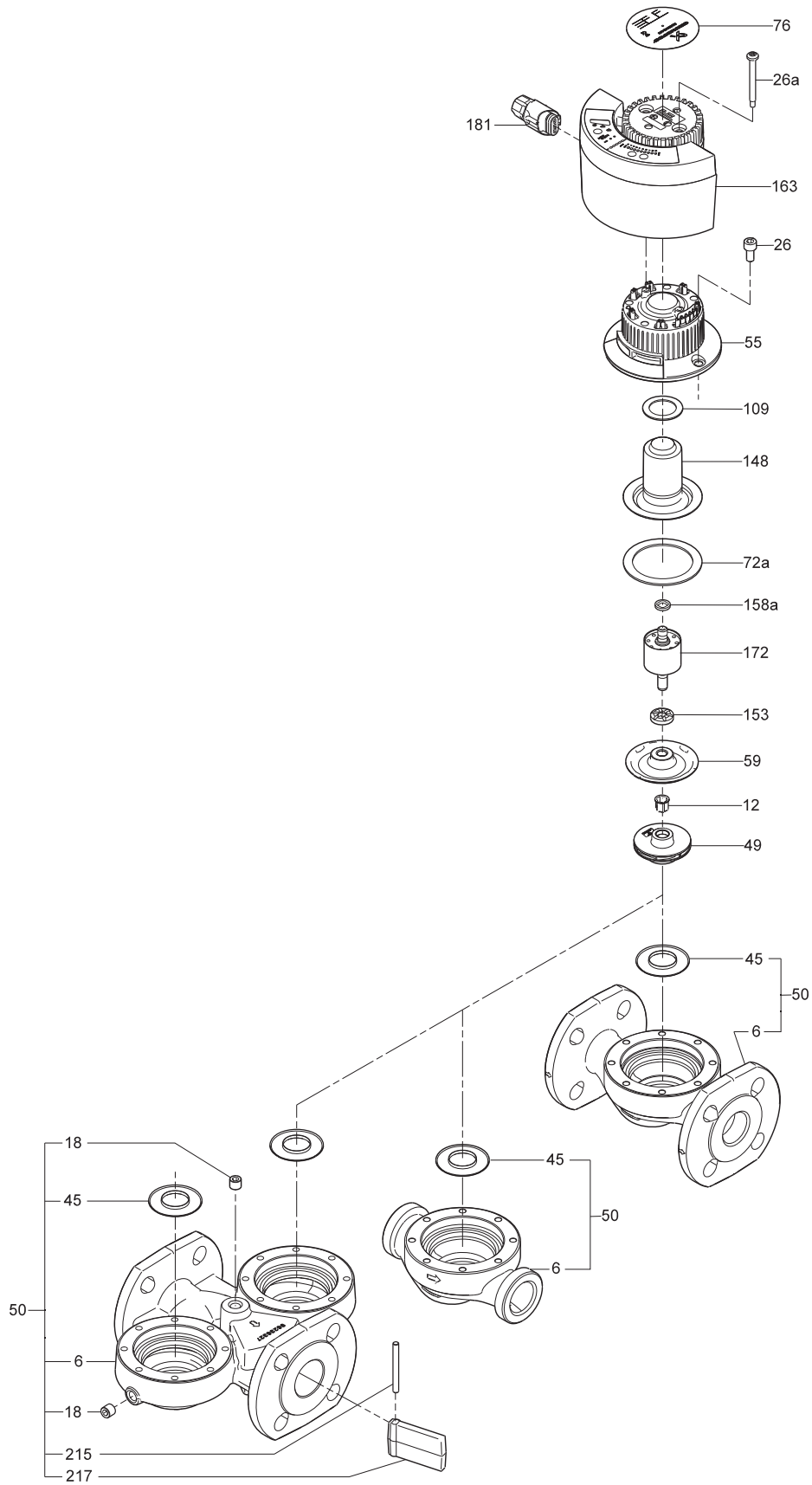
Pump head content

Pos.	Description	Drawing 2
12	Split cone	1
49	Impeller complete	1
59	Bearing plate	1
72a	O-ring/gasket	1
109	O-ring	1
148	Rotor can with bearing (158a)	1
153	Bearing	1
172	Shaft with rotor	1

Terminal box content

Pos.	Description	Drawing 2
163	Terminal box complete	1

Drawing 2



TM03 0535 0205

MAGNA1 plug-connected versions

Clamp

Pos.	Description/ kit No	98148760
92	Clamp with screw	1

Control box,unconfigured

Kit No	98148725	98357738
DN	Model	
25-	40 (6/10 bar)	40 (16 bar)
	60 (6/10 bar)	60 (16 bar)
	80 (6/10 bar)	80 (16 bar)
	100 (6/10 bar)	100 (16 bar)
	-	120 (16 bar)
32-	-	120 (6/10 bar)
	40 (6/10 bar)	40 (16 bar)
	60 (6/10 bar)	60 (16 bar)
	80 (6/10 bar)	80 (16 bar)
	-	100 (16 bar)
40-	-	100 (6/10 bar)
	-	120 (6/10 bar)
	-	40 (16 bar)
	-	60 (16 bar)
	-	40 (6/10 bar)
	-	60 (6/10 bar)

Control box, configured single-head pumps

Control box content

Pump type	Kit No
MAGNA1 25-40 (N)	99089445
MAGNA1 25-60 (N)	99089446
MAGNA1 25-80 (N)	99089447
MAGNA1 25-100 (N)	99089444
MAGNA1 32-40 (F) (N)	99089448
MAGNA1 32-60 (N)	99089448
MAGNA1 32-80 (N)	99089450

Pos.	Description	Quantity
163	Control box complete	1
163a	Screw	2
164	Control box cover	1
164a	Screw	5

Control box covern

Pos.	Description/ kit No/pcs	98988010
162	Control box cover	1

O-ring

Pos.	Description/ kit No	98357755
301a	O-ring	1

Insulation shells

Description	Kit No
DN25/DN32 180	98615808
DN32-100 F 220	98615809
DN40-60 F 220	98615810

Plug

Pos.	Description/ kit No	98284561
181	Plug (ALPHA)	1

Pump head

Pos	Description	Kit No/pcs
	DN 25/32 (10 bar)	98357751
	DN 25/32 (16 bar)	98357752
	DN 40	98357753
92	Clamp	1
163a	Screw	2
301	Pump head	1

Two-way flap

Pos	Description	Kit No/pcs
	DN 32	96407253
	DN 40	96407254
215	Pin	1
217	Rubber flap	1

NAMREG MAGNA1 plug-connected versions

Clamp

Pos.	Description/ kit No	98700283
92	Clamp with screw	1

Control box,unconfigured

Pos.	Description/ kit No	98463319
163	Control box complete	1
163a	Screw	2
164	Control box cover	1
164a	Screw	5

Control box, configured single-head pumps

Pump type	Kit No
MAGNA1 32-60	99072284
MAGNA1 32-100	99072283

Insulation shells

Description	Kit No
DN32-xx	98827412
DN40-xx	98827415

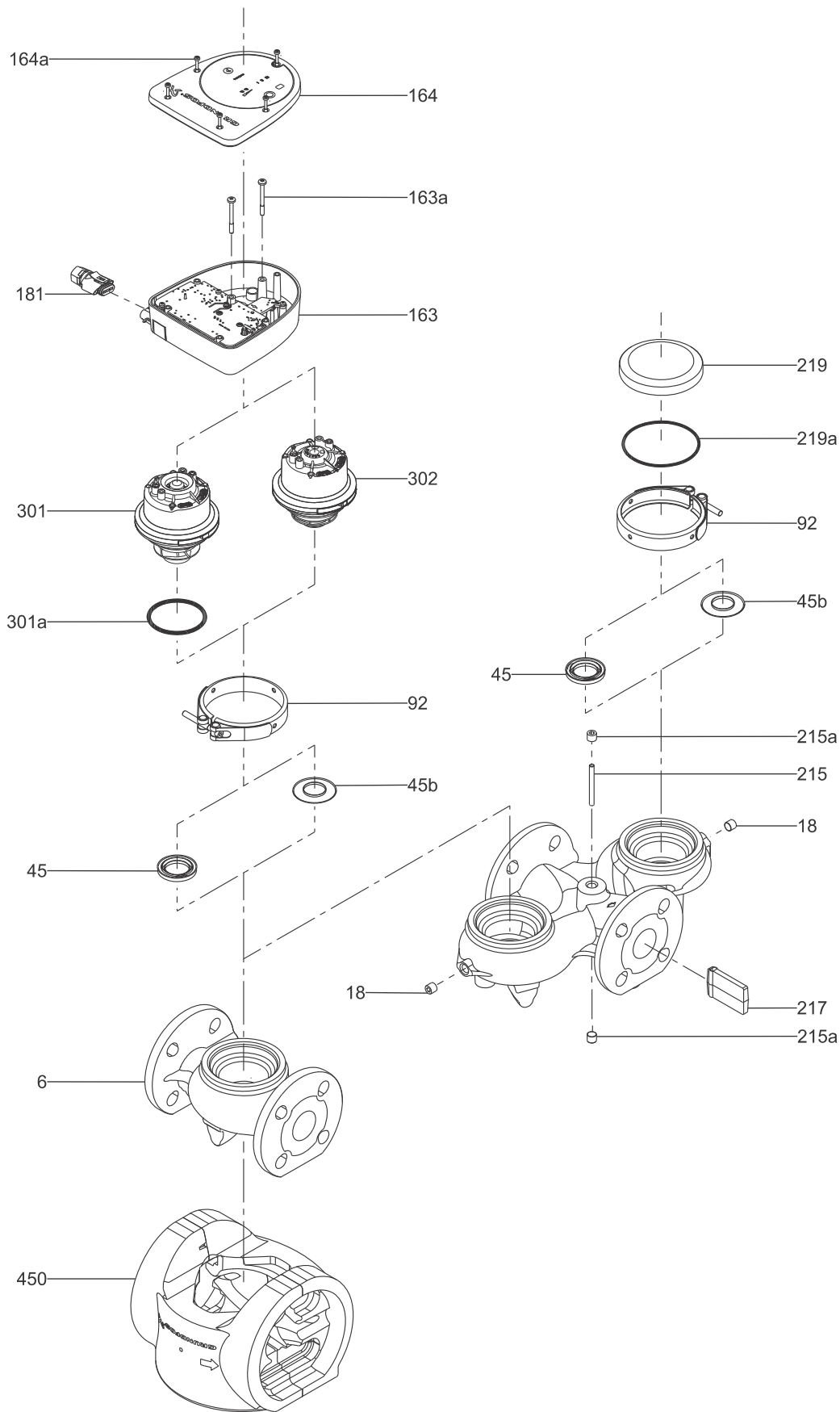
O-ring

Pos.	Description/ kit No	98700281
301a	O-ring	1

Plug

Pos.	Description	Kit no	Bulk No (80 pcs)
181	Plug	98803740	97773147

MAGNA1 plug-connected versions



TM05 5854 4312

MAGNA1 terminal-connected versions

Clamp

Pos.	Description/ kit No	98148759
92	Clamp with screw	1

Control box, unconfigured

Pos.	Description Kit No	750W	1600W
		98859589	98859590
163	Control box complete	1	1
163a	Screw	2	2
163d	Screw	1	1
164	Control box cover	1	1
301b	Protector (EMC)	1	1

Control box, configured single-head pumps

Pump type	Kit No
MAGNA1 40-80 F (N) PN6/10	99090661
MAGNA1 40-80 F PN16	99090696
MAGNA1 40-100 (N) PN6/10	99090693
MAGNA1 40-100 F PN 16	99090698
MAGNA1 40-120 (N) PN6/10	99090697
MAGNA1 40-120 F PN 16	99090703
MAGNA1 40-150 (N) PN6/10	99090704
MAGNA1 40-150 F PN 16	99090715
MAGNA1 40-180 (N) PN6/10	99090712
MAGNA1 40-180 F PN 16	99090729
MAGNA1 50-40 F (N) PN6/10	99090694
MAGNA1 50-40 F PN16	99090699
MAGNA1 50-60 (N) PN6/10	99090700
MAGNA1 50-60 F PN 16	99090706
MAGNA1 50-80 F (N) PN6/10	99090702
MAGNA1 50-80 F PN16	99090711
MAGNA1 50-100 (N) PN6/10	99090705
MAGNA1 50-100 F PN 16	99090716
MAGNA1 50-120 (N) PN6/10	99090708
MAGNA1 50-120 F PN 16	99090723
MAGNA1 50-150 (N) PN6/10	99090719
MAGNA1 50-150 F PN 16	99090738
MAGNA1 50-180 (N) PN6/10	99090739
MAGNA1 50-180 F PN 16	99090752
MAGNA1 65-40 F (N) PN6/10	99090701
MAGNA1 65-40 F PN16	99090709
MAGNA1 65-60 (N) PN6/10	99090707
MAGNA1 65-60 F PN 16	99090720
MAGNA1 65-80 F (N) PN6/10	99090713
MAGNA1 65-80 F PN16	99090730
MAGNA1 65-100 (N) PN6/10	99090717
MAGNA1 65-100 F PN 16	99090735
MAGNA1 65-120 (N) PN6/10	99090726
MAGNA1 65-120 F PN 16	99090743
MAGNA1 65-150 (N) PN6/10	99092350
MAGNA1 65-150 F PN 16	99092368
MAGNA1 80-40 F (N) PN6	99090710
MAGNA1 80-40 F (N) PN10	99090714
MAGNA1 80-40 F PN16	99090725
MAGNA1 80-60 (N) PN6	99090718
MAGNA1 80-60 (N) PN10	99090724
MAGNA1 80-60 F PN 16	99090737
MAGNA1 80-80 F (N) PN6	99090728
MAGNA1 80-80 F (N) PN10	99090734
MAGNA1 80-80 F PN16	99090746
MAGNA1 80-100 F PN6	99092349
MAGNA1 80-100 F PN10	99092351
MAGNA1 80-100 F PN16	99092365

Pump type	Kit No
MAGNA1 80-120 F PN6	99092363
MAGNA1 80-120 F PN10	99092367
MAGNA1 80-120 F PN16	99092371
MAGNA1 100-40 F (N) PN6	99090727
MAGNA1 100-40 F (N) PN10	99090733
MAGNA1 100-40 F PN16	99090745
MAGNA1 100-60 (N) PN6	99090736
MAGNA1 100-60 (N) PN10	99090742
MAGNA1 100-60 F PN 16	99090751
MAGNA1 100-80 F PN6	99092352
MAGNA1 100-80 F PN10	99092352
MAGNA1 100-80 F PN16	99092370
MAGNA1 100-100 F PN6	99092366
MAGNA1 100-100 F PN10	99092369
MAGNA1 100-100 F PN16	99092373
MAGNA1 100-120 F PN6	99092372
MAGNA1 100-120 F PN10	99092374
MAGNA1 100-120 F PN16	99092375

Control box cover

Pos.	Description/ kit No	98148728
162	Control box cover	1
164a	Screw	5

O-ring

Pos.	Description/ kit No	98148761
301a	O-ring	1

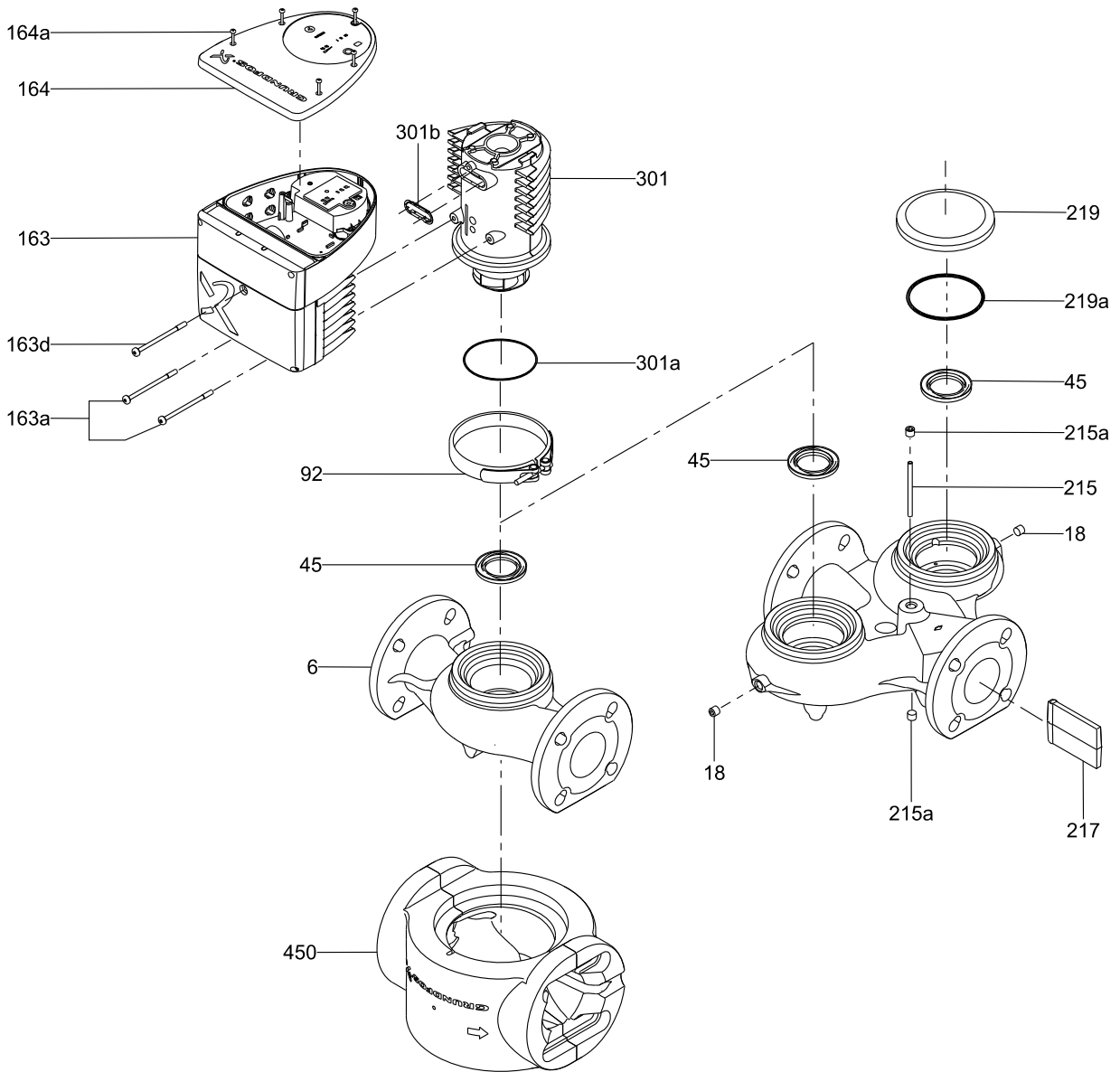
Pump head

Pos	Description	Kit No/pcs	
		A	B
	Model		
	DN 32-120	98148737	98861422
	DN 40-80/100	98148739	98861424
	DN 40-120/150/180	98148741	98861426
	DN 50-40/60/80	98148743	98861428
	DN 50-100		98976886
	DN 50-120	98148745	98861430
	DN 50-150/180	98148747	98861434
	DN 65-40/60	98148749	98861432
	DN 65-80/100/120	98148751	98861436
	DN 65-150	98148753	98861440
	DN 80-60	98148755	98861438
	DN 80-80/100/120	98148757	98861442
	DN 100-40/60/80/100/120		
92	Clamp		1
163a	Screw		2
163d	Screw		1
301	Pump head		1
301a	O-ring		1
301b	Gasket (EMC protection)		1

Two-way flap

Pos	Description	Kit No/pcs
	DN 32	96407253
	DN 40	96407254
	DN 50	96407255
	DN 65	96407256
	DN 80	96407257
	DN 100	96407258
215	Pin	1
217	Rubber flap	1

MAGNA1 terminal-connected versions



TM05 4005 1812

NAMREG MAGNA1 terminal-connected versions

Additional kits

Description	Kit No/pcs
Terminal connector plug	98529570
Gasket	98721416
Cable gland	98578414

Clamp

Pos.	Description/ kit No	98700282
92	Clamp with screw	1

Control box, unconfigured

Pos.	Description Kit No	650W	750W	1600W
		98463325	98463323	98463321
163	Control box complete	1	1	1
163a	Screw	2	2	2
163d	Screw	1	1	1
301b	Protector (EMC)	1	1	1

Control box, configured single-head pumps

Pump type	Kit No
MAGNA1 40-80 115V	99072289
MAGNA1 40-80 230V	99072290
MAGNA1 40-120 115V	99072285
MAGNA1 40-120 230V	99072286
MAGNA1 40-180 115V	99072287
MAGNA1 40-180 230V	99072288
MAGNA1 50-80 115V	99072293
MAGNA1 50-80 230V	99072294
MAGNA1 50-150 115V	99072291
MAGNA1 50-150 230	99072292
MAGNA1 65-120 115V	99072295
MAGNA1 65-120 230V	99072296
MAGNA1 65-150 230V	99072297
MAGNA1 80-100 230V	99072298
MAGNA1 100-120 230V	99072299
MAGNA1 32-60 230V	99072284
MAGNA1 32-100 230V	99072283
MAGNA1 40-80 115V	99072289
MAGNA1 40-80 230V	99072290
MAGNA1 40-120 115V	99072285
MAGNA1 40-120 230V	99072286
MAGNA1 40-180 115V	99072287
MAGNA1 40-180 230V	99072288
MAGNA1 50-80 115V	99072293
MAGNA1 50-80 230V	99072294
MAGNA1 50-150 115V	99072291
MAGNA1 50-150 230V	99072292
MAGNA1 65-120 115V	99072295
MAGNA1 65-120 230V	99072296
MAGNA1 65-150 230V	99072297
MAGNA1 80-100 230V	99072298
MAGNA1 100-120 230V	99072299

Insulation shells

Description	Kit No
DN40-xx	98827415
DN50-xx	98827416
DN65-xx	98827417
DN80-xx	98827418
DN100-120	98827419

O-ring

Pos.	Description/ kit No	98148761
301a	O-ring	1

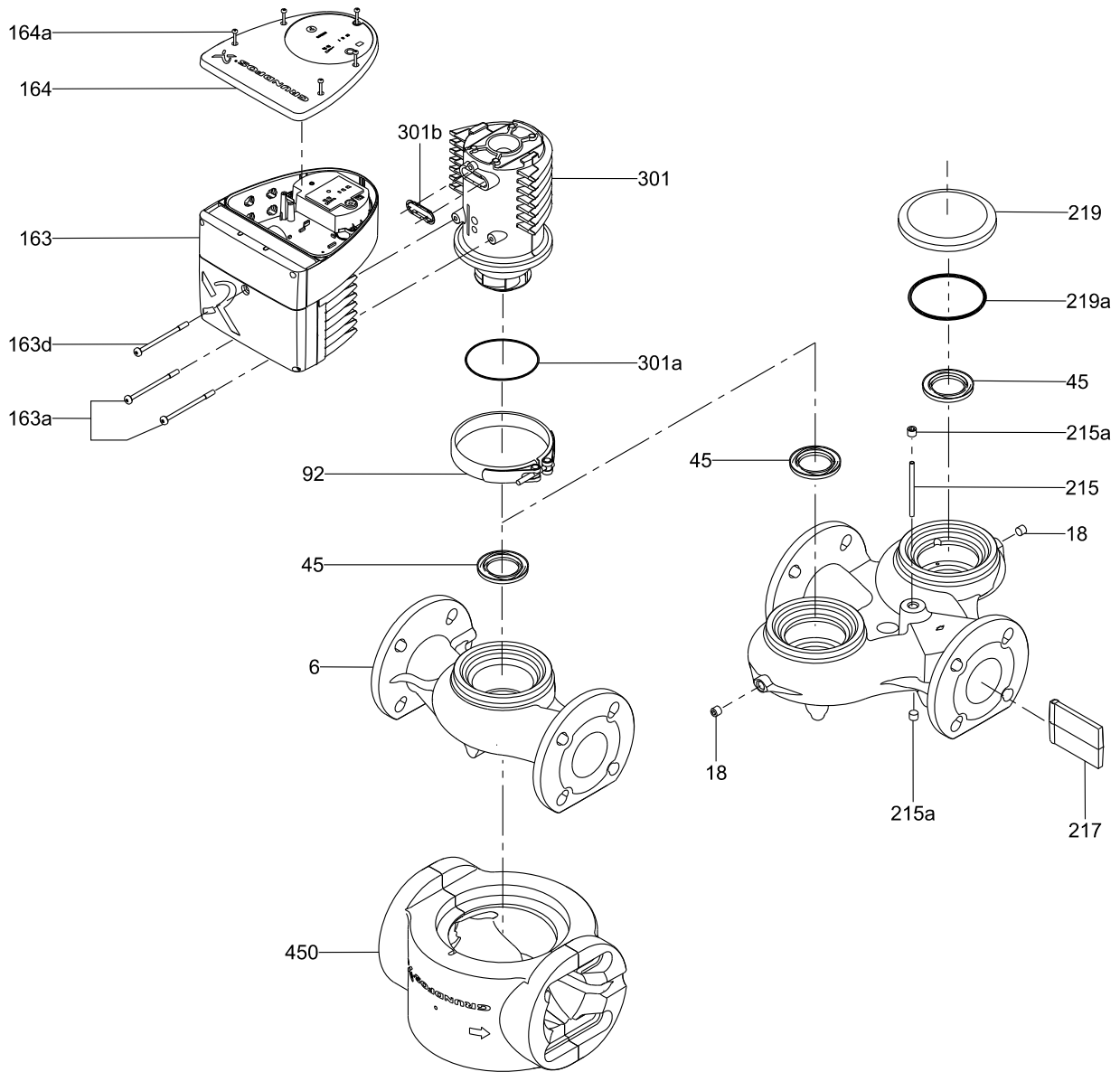
Pump head

Pos	Description	Kit No/pcs
	MAGNA1 65-120 GF 340 115V	98460156
	MAGNA1 40-80 GF 216 115V	98460169
	MAGNA1 40-120 GF 216 115V	98460167
	MAGNA1 50-80 GF 240 115V	98460163
	MAGNA1 50-150 GF 280 115V	98460160
	MAGNA1 40-80 GF 216 230V	98460171
	MAGNA1 40-120 GF 216 230V	98460164
	MAGNA1 50-150 GF 280 230V	98460172
	MAGNA1 65-120 GF 340 230V	98460155
	MAGNA1 65-150 GF 340 230V	98460153
	MAGNA1 80-100 GF 360 230V	98460152
92	Clamp	1
163a	Screw	2
163d	Screw	1
301	Pump head	1
301a	O-ring	1

Two-way flap

Pos	Description	Kit No/pcs
	DN 65	96407256
	DN 80	96407257
	DN 100	96407258
215	Pin	1
217	Rubber flap	1

MAGNA1 terminal-connected versions



NAMREG MAGNA1 terminal-connected versions MAGNA

TM05 4005 1812

MAGNA3 plug-connected versions

Clamp

Pos.	Description /kit No	98148760
92	Clamp with screw	1

Control box, unconfigured

Pos.	Description/ kit No	98148726
-	Control box complete incl sensor cable	1
163e	Locking pin	1

Control box, configured single-head pumps

Control box cover

Pump type	Kit No
MAGNA3 25-40 (N) PN10	99091429
MAGNA3 25-40 (N) PN16	99091430
MAGNA3 25-60 (N) PN10	99091431
MAGNA3 25-60 (N) PN16	99091454
MAGNA3 25-80 (N) PN10	99091453
MAGNA3 25-80 (N) PN16	99091459
MAGNA3 25-100 (N) PN10	99091457
MAGNA3 25-100 (N) PN16	99091464
MAGNA3 25-120 (N) PN10	99091462
MAGNA3 25-120 (N) PN16	99091469
MAGNA3 32-40 (F) (N) PN10	99091432
MAGNA3 32-60 (F) (N) PN10	99091455
MAGNA3 32-60 (F) PN16	99091461
MAGNA3 32-80 (F) (N) PN10	99091458
MAGNA3 32-80 (F) (N) PN16	99091465
MAGNA3 32-100 (F) (N) PN10	99091460
MAGNA3 32-100 (F) (N) PN16	99091468
MAGNA3 32-120 (N) PN10	99091466
MAGNA3 32-120 PN16	99091471
MAGNA3 40-40 F (N) PN10	99091463
MAGNA3 40-40 F PN16	99091470
MAGNA3 40-60 F (N) PN10	99091467
MAGNA3 40-60 F PN16	99091472

Pos.	Description	98357740
	Model	A
159	Cable	1
162	Control box cover	1
163f	Screw	2
164a	Screw	3

Insulation shells

Description	Kit No
DN32-xx	98827412
DN40-xx	98827415

O-ring

Pos.	Description/ kit No	98357755
301a	O-ring	1

Plug

Pos.	Description/ kit No	98284561
181	Plug	1

Pump head

Pos	Description	Kit No/pcs
	DN 25-32	98419522
	DN 40-60	98357754
92	Clamp	1
301	Pump head	1
301a	O-ring	1
301c	Leaf spring	1
301d	Screw	2

Sealing cap

Pos.	Description	Kit No	Bulk No (10 pcs)	Bulk No (100 pcs)
531a	Sealing cap	98613455	98708139	98937750

Sensor with cable, for cast iron pump house

Pos.	Description/ kit No	99188224
530	Cable	1
530a	Union	1
531	Sensor	1
531a	Sealing cap	1
534	Bracket	1
534a	Screw	1

Sensor, for cast iron pump house

Pos.	Description	Kit No	Bulk No (10 pcs)
531	Sensor	99177574	99177561

Sensor, for stainless steel pump house

Pos.	Description	Kit No	Bulk No (10 pcs)
531	Sensor	99100200	98993991

Sensor cable

Pos.	Description/ kit No	98148735
530	Cable	1
530a	Union	1

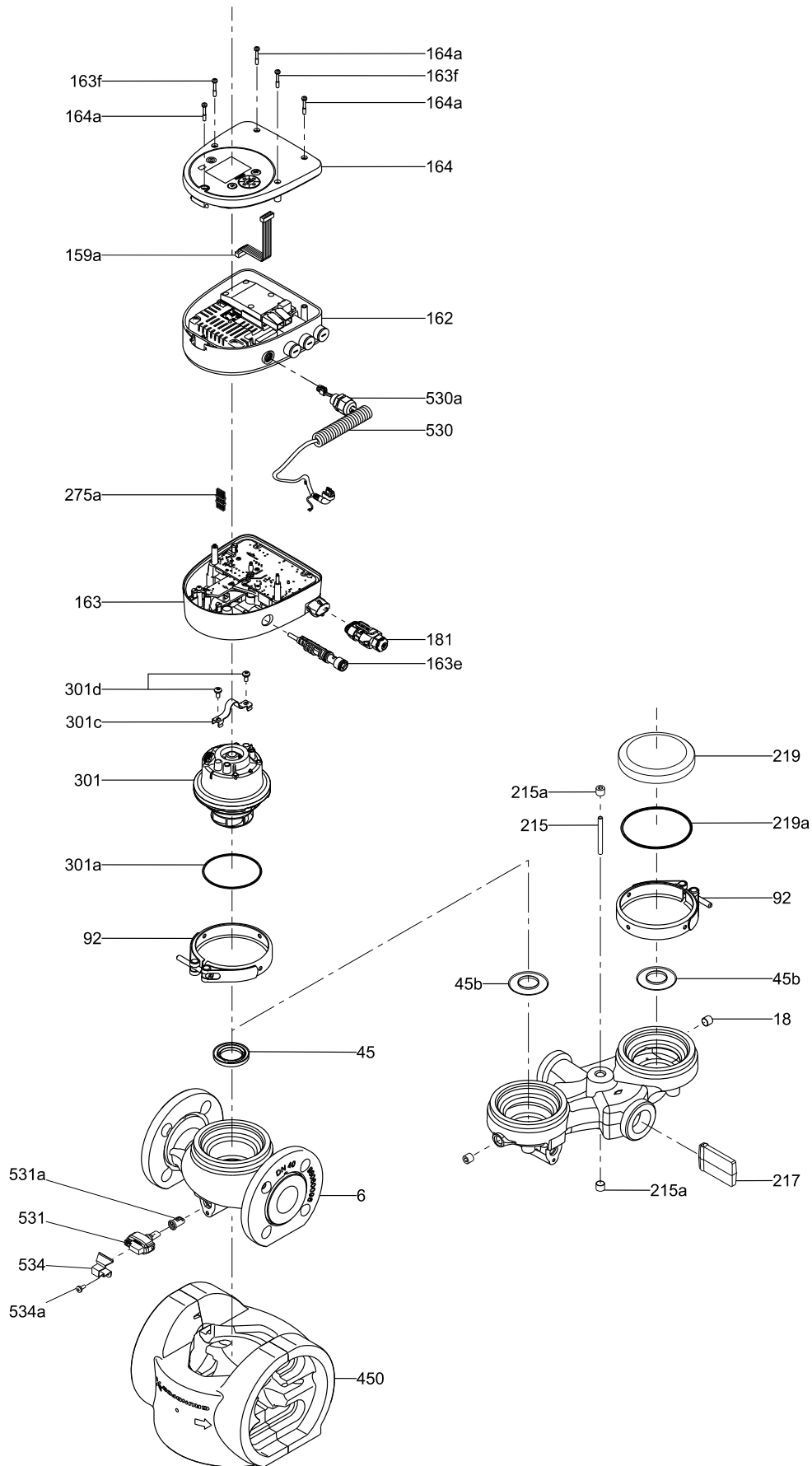
Sensor with cable, for stainless steel pump house

Pos.	Description/ kit No	98148758
530	Cable	1
530a	Union	1
531	Sensor	1
531a	Sealing cap	1
534	Bracket	1
534a	Screw	1

Two-way flap

Pos	Description	Kit No/pcs
	DN 32	96407253
	DN 40	96407254
215	Pin	1
217	Rubber flap	1

MAGNA3 plug-connected versions



MAGNA3 plug-connected versions MAGNA

TM05 8038 2013

NAMREG MAGNA3 plug-connected versions

Clamp

Pos.	Description /kit No	98700283
92	Clamp with screw	1

Control box complete

Pos.	Description/ kit No	98463320
-	Control box complete incl sensor cable	1
163e	Locking pin	1

O-ring

Pos.	Description/ kit No	98700281
301a	O-ring	1

Plug

Pos.	Description	Kit no	Bulk No (80 pcs)
181	Plug	98803740	97773147

Pump head

Pos	Description	Kit No/pcs
	DN 25-32	98460815
92	Clamp	1
301	Pump head	1
301a	O-ring	1
301c	Leaf spring	1
301d	Screw	2

Sensor with cable, for cast iron pump house

Pos.	Description/ kit No	99188224
530	Cable	1
530a	Union	1
531	Sensor	1
531a	Sealing cap	1
534	Bracket	1
534a	Screw	1

Sensor,for cast iron pump house

Pos.	Description	Kit No	Bulk No (10 pcs)
531	Sensor	99177574	99177561

Sensor with cable, for stainless steel pump house

Pos.	Description/ kit No	98471249
530	Cable	1
530a	Union	1
531	Sensor	1
531a	Sealing cap	1
534	Bracket	1
534a	Screw	1

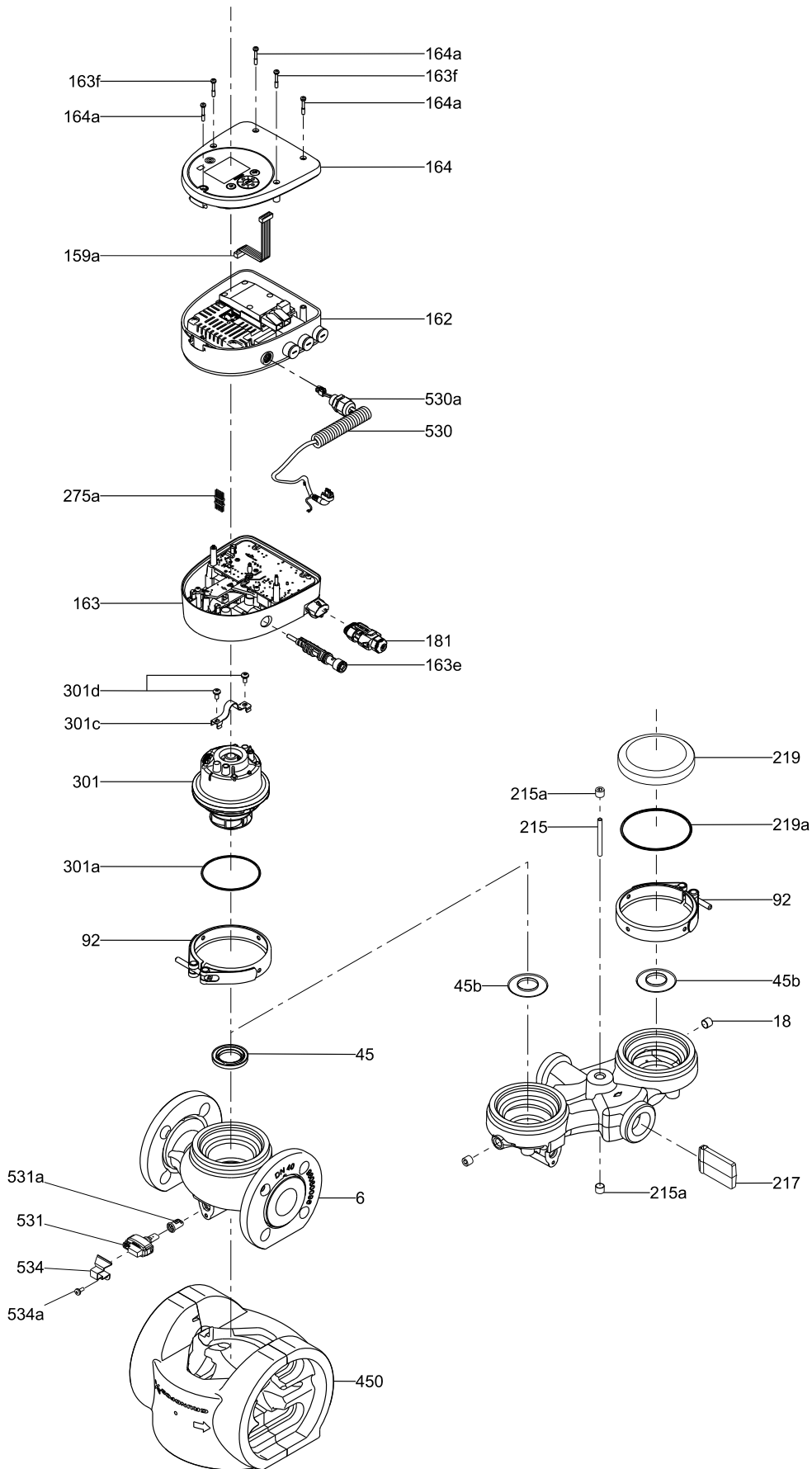
Sensor,for stainless steel pump house

Pos.	Description	Kit No	Bulk No (10 pcs)
531	Sensor	99100200	98993991

Sensor cable

Pos.	Description/ kit No	98700244
530	Cable	1
530a	Union	1

MAGNA3 plug-connected versions



MAGNA3 terminal-connected versions

Clamp

Pos.	Description/ kit No	98148759
92	Clamp with screw	1

Connector plug

Pos.	Description/ kit No	98357861
-	3-Pole connector plug angled	2
-	3-pole connector plug up-right	1
-	4-pole connector plug angled w/wi	1

Control box, unconfigured

Pos.	Description/ kit No	750W	1600W
		98859585	88595869
-	Control box	1	1
163a	Screw	2	2
163d	Screw	1	1
301b	Protector (EMC)	1	1

Control box, configured single-head pumps

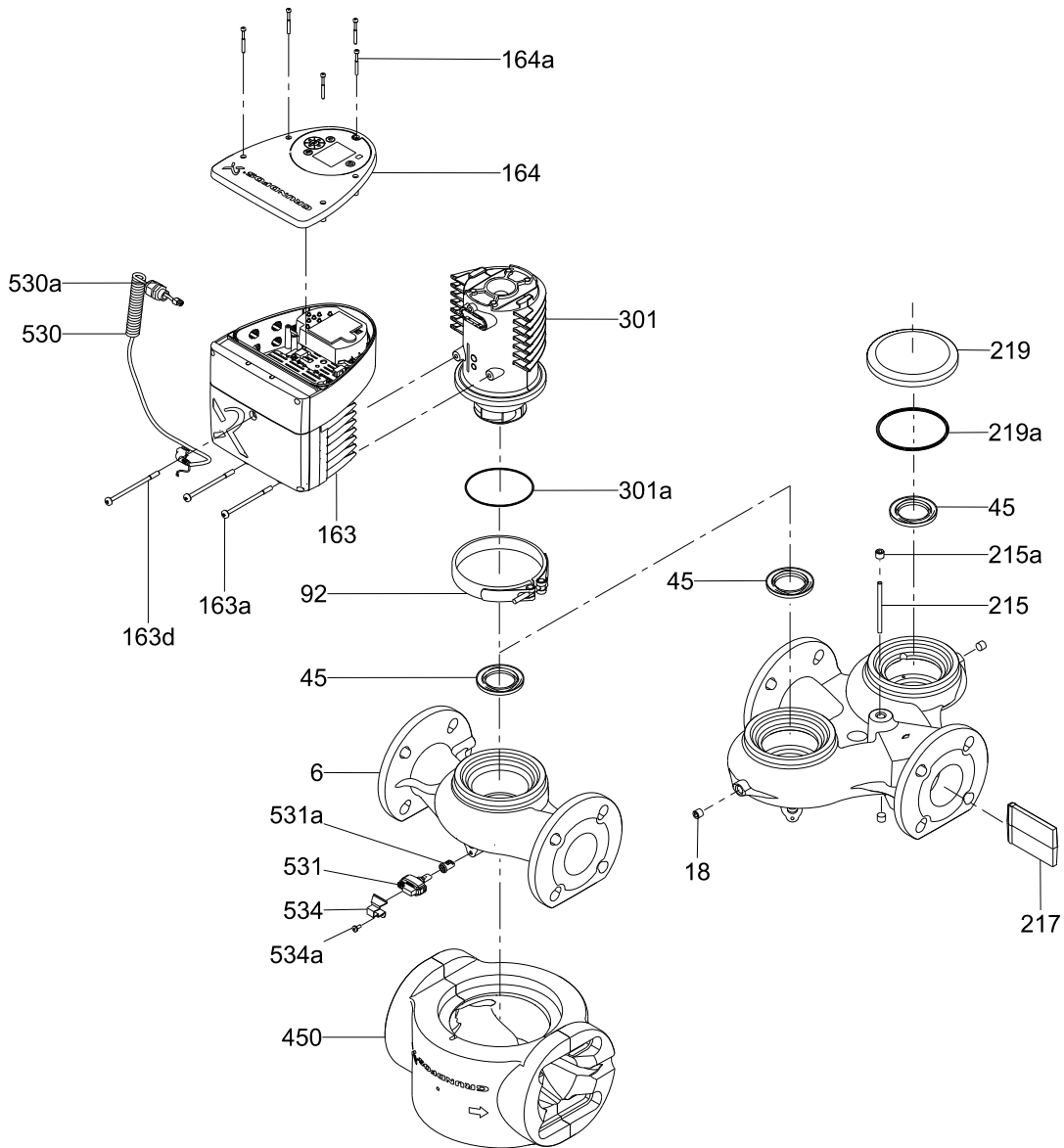
Control box cover

Pump type	Kit No
MAGNA3 40-80 F (N) PN6/10	99092713
MAGNA3 40-80 F PN16	99092716
MAGNA3 40-100 (N) PN6/10	99092714
MAGNA3 40-100 F PN 16	99092718
MAGNA3 40-120 (N) PN6/10	99092717
MAGNA3 40-120 F PN 16	99092723
MAGNA3 40-150 (N) PN6/10	99092724
MAGNA3 40-150 F PN 16	99092735
MAGNA3 40-180 (N) PN6/10	99092732
MAGNA3 40-180 F PN 16	99092749
MAGNA3 50-40 F (N) PN6/10	99092715
MAGNA3 50-40 F PN16	99092719
MAGNA3 50-60 (N) PN6/10	99092720
MAGNA3 50-60 F PN 16	99092726
MAGNA3 50-80 F (N) PN6/10	99092722
MAGNA3 50-80 F PN16	99092731
MAGNA3 50-100 (N) PN6/10	99092725
MAGNA3 50-100 F PN 16	99092736
MAGNA3 50-120 (N) PN6/10	99092728
MAGNA3 50-120 F PN 16	99092743
MAGNA3 50-150 (N) PN6/10	99092739
MAGNA3 50-150 F PN 16	99092759
MAGNA3 50-180 (N) PN6/10	99092760
MAGNA3 50-180 F PN 16	99092772
MAGNA3 65-40 F (N) PN6/10	99092721
MAGNA3 65-40 F PN16	99092729
MAGNA3 65-60 (N) PN6/10	99092727
MAGNA3 65-60 F PN 16	99092740
MAGNA3 65-80 F (N) PN6/10	99092733
MAGNA3 65-80 F PN16	99092750
MAGNA3 65-100 (N) PN6/10	99092737
MAGNA3 65-100 F PN 16	99092756
MAGNA3 65-120 (N) PN6/10	99092746
MAGNA3 65-120 F PN 16	99092764
MAGNA3 65-150 (N) PN6/10	99092574
MAGNA3 65-150 F PN 16	99092582
MAGNA3 80-40 F (N) PN6	99092730
MAGNA3 80-40 F (N) PN10	99092734

Pump type	Kit No
MAGNA3 80-40 F PN16	99092745
MAGNA3 80-60 (N) PN6	99092738
MAGNA3 80-60 (N) PN10	99092744
MAGNA3 80-60 F PN 16	99092758
MAGNA3 80-80 F (N) PN6	99092748
MAGNA3 80-80 F (N) PN10	99092754
MAGNA3 80-80 F PN16	99092766
MAGNA3 80-100 F PN6	99092573
MAGNA3 80-100 F PN10	99092575
MAGNA3 80-100 F PN16	99092579
MAGNA3 80-120 F PN6	99092577
MAGNA3 80-120 F PN10	99092581
MAGNA3 80-120 F PN16	99092585
MAGNA3 100-40 F (N) PN6	99092747
MAGNA3 100-40 F (N) PN10	99092753
MAGNA3 100-40 F PN16	99092765
MAGNA3 100-60 (N) PN6	99092757
MAGNA3 100-60 (N) PN10	99092763
MAGNA3 100-60 F PN 16	99092771
MAGNA3 100-80 F PN6	99092576
MAGNA3 100-80 F PN10	99092578
MAGNA3 100-80 F PN16	99092584
MAGNA3 100-100 F PN6	99092580
MAGNA3 100-100 F PN10	99092583
MAGNA3 100-100 F PN16	99092587
MAGNA3 100-120 F PN6	99092586
MAGNA3 100-120 F PN10	99092588
MAGNA3 100-120 F PN16	99092589

Pos.	Description/ kit No	98148727
164	Control box cover	1
164a	Screw	5

MAGNA3 terminal-connected versions



TM05 7299 0913

Display board

Pos.	Description	Kit No	
		A	B
	Model		
	Display board	98148734	98859591

Insulation shells

Description	Kit No
DN32 220	98159366
DN40 220/280	98159368
DN50 240/280	98159367
DN65 340	98159361
DN80 360	98159363
DN100 450	98159362

O-ring

Pos.	Description/ kit No	98148761
301a	O-ring	1

Pump head

Pos	Description	Kit No/pcs	
		A	B
	Model		
	DN 32-120	98148736	98861421
	DN 40-80/100	98148738	98861423
	DN 40-120/150/180	98148740	98861425
	DN 50-40/60/80	98148742	98861427
	DN 50-100		98976887
	DN 50-120	98148744	98981429
	DN 50-150/180	98148746	98861433
	DN 65-40/60	98148748	98861431
	DN 65-80/100/120	98148750	98861435
	DN 65-150	98148752	98861439
	DN 80-40/60	98148754	98861437
	DN 80-80/100/120		
	DN 100-40/60/80/100/120	98148756	98861441
92	Clamp		1
163a	Screw		2
163d	Screw		1
301	Pump head		1
301a	O-ring		1
301b	Gasket (EMC)		1

Sealing cap

Pos.	Description	Kit No	Bulk No (10 pcs)	Bulk No (100 pcs)
531a	Sealing cap	98613455	98708139	98937750

Sensor with cable, for cast iron pump house

Pos.	Description/ kit No	99188224
530	Cable	1
530a	Union	1
531	Sensor	1
531a	Sealing cap	1
534	Bracket	1
534a	Screw	1

Sensor,for cast iron pump house

Pos.	Description	Kit No	Bulk No (10 pcs)
531	Sensor	99177574	99177561

Sensor with cable, for stainless steel pump house

Pos.	Description/ kit No	98148758
530	Cable	1
530a	Union	1
531	Sensor	1
531a	Sealing cap	1
534	Bracket	1
534a	Screw	1

Sensor,for stainless steel pump house

Pos.	Description	Kit No	Bulk No (10 pcs)
531	Sensor	99100200	98993991

Sensor cable

Pos.	Description/ kit No	98148735
530	Cable	1
530a	Union	1

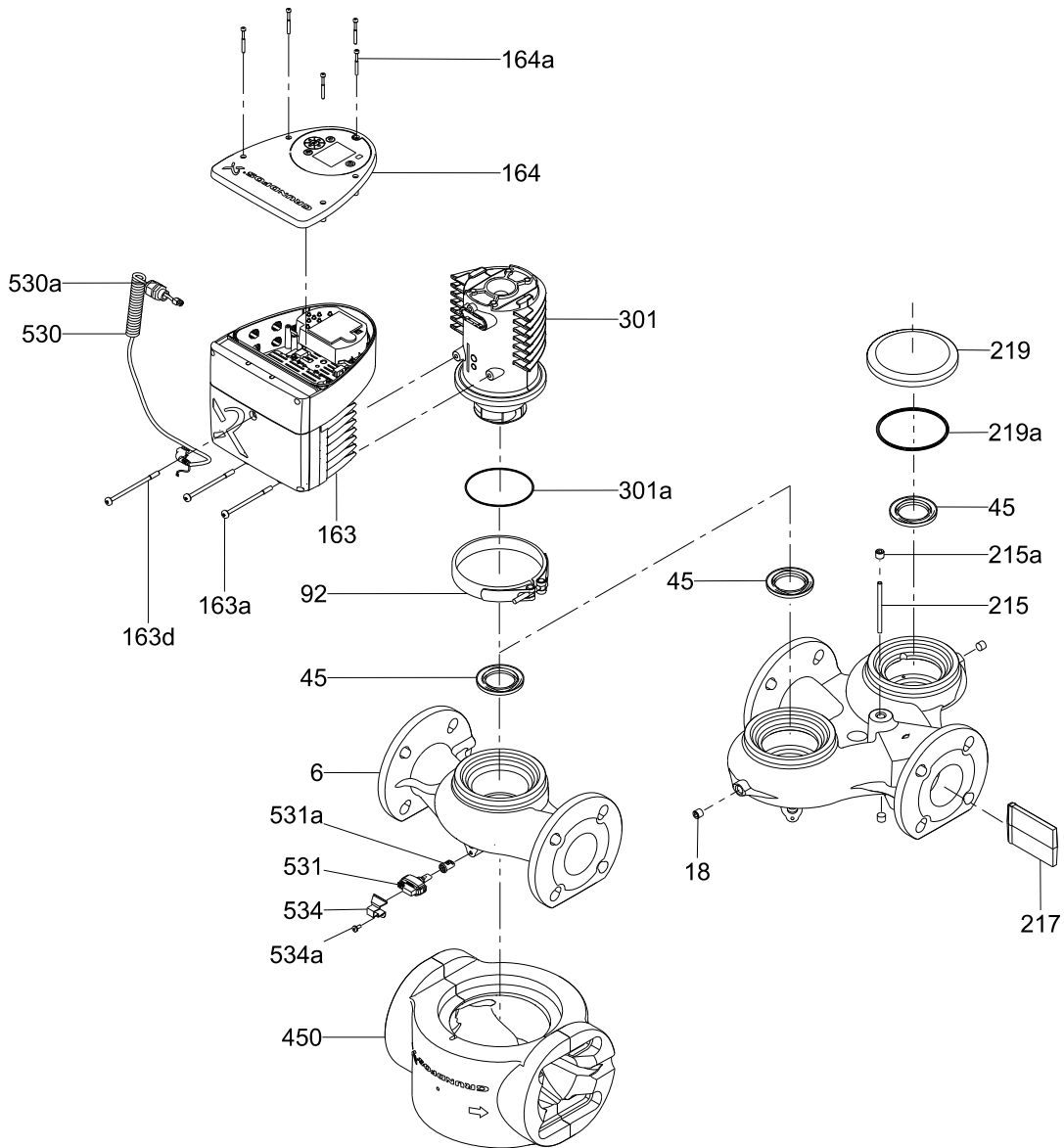
Two-way flap

Pos	Description	Kit No/pcs
	Model	A
	DN 32-	96407253
	DN 40-	96407254
	DN 50-	96407255
	DN 65-	96407256
	DN 80	96407257
	DN 100	96407258

Terminal connector plug

Pos.	Description/ kit No	98357861

MAGNA3 terminal-connected versions



TM05 7299 0913

NAMREG MAGNA3 terminal-connected versions

Additional kits

Description	Kit No/pcs
Terminal connector plug	98607782
Gasket	98721416
Cable gland	98578414

Clamp

Pos.	Description/ kit No	98700282
92	Clamp with screw	1

Control box, unconfigured

Pos.	Description Kit No	650W	750W	1600W
		98463326	98463324	98463322
163	Control box complete	1	1	1
163a	Screw	2	2	2
163d	Screw	1	1	1
301b	Protector (EMC)	1	1	1

Control box, configured single-head pumps

Pump type	Kit No
MAGNA3 40-80 115V	99068772
MAGNA3 40-80 230V	99068783
MAGNA3 40-120 115V	99068768
MAGNA3 40-120 230V	99068769
MAGNA3 40-180 115V	99068770
MAGNA3 40-180 230V	99068771
MAGNA3 50-80 115V	99068786
MAGNA3 50-80 230V	99068788
MAGNA3 50-150 115V	99068784
MAGNA3 50-150 230V	99068785
MAGNA3 65-120 115V	99068789
MAGNA3 65-120 230V	99068790
MAGNA3 65-150 230V	99068791
MAGNA3 80-100 230V	99068792
MAGNA3 100-120 230V	99068793
MAGNA3 40-80 115V	99068772
MAGNA3 40-80 230V	99068783
MAGNA3 40-120 115V	99068768
MAGNA3 40-120 230V	99068769
MAGNA3 40-180 115V	99068770
MAGNA3 40-180 230V	99068771
MAGNA3 50-80 115V	99068786
MAGNA3 50-80 230V	99068788
MAGNA3 50-150 115V	99068784
MAGNA3 50-150 230V	99068785
MAGNA3 65-120 115V	99068789
MAGNA3 65-120 230V	99068790
MAGNA3 65-150 230V	99068791
MAGNA3 80-100 230V	99068792
MAGNA3 100-120 230V	99068793

Insulation shells

Description	Kit No
DN40-xx	98827415
DN50-xx	98827416
DN65-xx	98827417
DN80-xx	98827418
DN100-120	98827419

O-ring

Pos.	Description/ kit No	98148761
301a	O-ring	1

Pump head

Pos	Description	Kit No/pcs
	MAGNA1 65-120 GF 340 115V	98460157
	MAGNA1 40-80 GF 216 115V	98460170
	MAGNA1 40-120 GF 216 115V	98460166
	MAGNA1 50-80 GF 240 115V	98460162
	MAGNA3 50-150 GF 280 115V	98460159
	MAGNA3 40-80 GF 216 230V	98460168
	MAGNA3 40-120 GF 216 230V	98460165
	MAGNA3 50-80 GF 240 230V	98460161
	MAGNA3 50-150 GF 280 230V	98460173
	MAGNA3 65-120 GF 340 230V	98460158
	MAGNA3 65-150 GF 340 230V	98148752
	MAGNA3 80-100 GF 360 230V	98460151
	MAGNA3 D 65-150 GF 340 230V	98460154
92	Clamp	1
163a	Screw	2
163d	Screw	1
301	Pump head	1
301a	O-ring	1
301b	Gasket (EMC protection)	1

Sealing cap

Pos.	Description	Kit No	Bulk No (10 pcs)	Bulk No (100 pcs)
531a	Sealing cap	98613455	98708139	98937750

Sensor with cable, for cast iron pump house

Pos.	Description/ kit No	99188224
530	Cable	1
530a	Union	1
531	Sensor	1
531a	Sealing cap	1
534	Bracket	1
534a	Screw	1

Sensor, for cast iron pump house

Sensor with cable, for stainless steel pump house

Pos.	Description	Kit No	Bulk No (10 pcs)
531	Sensor	99177574	99177561

Pos.	Description/ kit No	98471249
530	Cable	1
530a	Union	1
531	Sensor	1
531a	Sealing cap	1
534	Bracket	1
534a	Screw	1

Sensor, for stainless steel pump house

Pos.	Description	Kit No	Bulk No (10 pcs)
531	Sensor	99100200	98993991

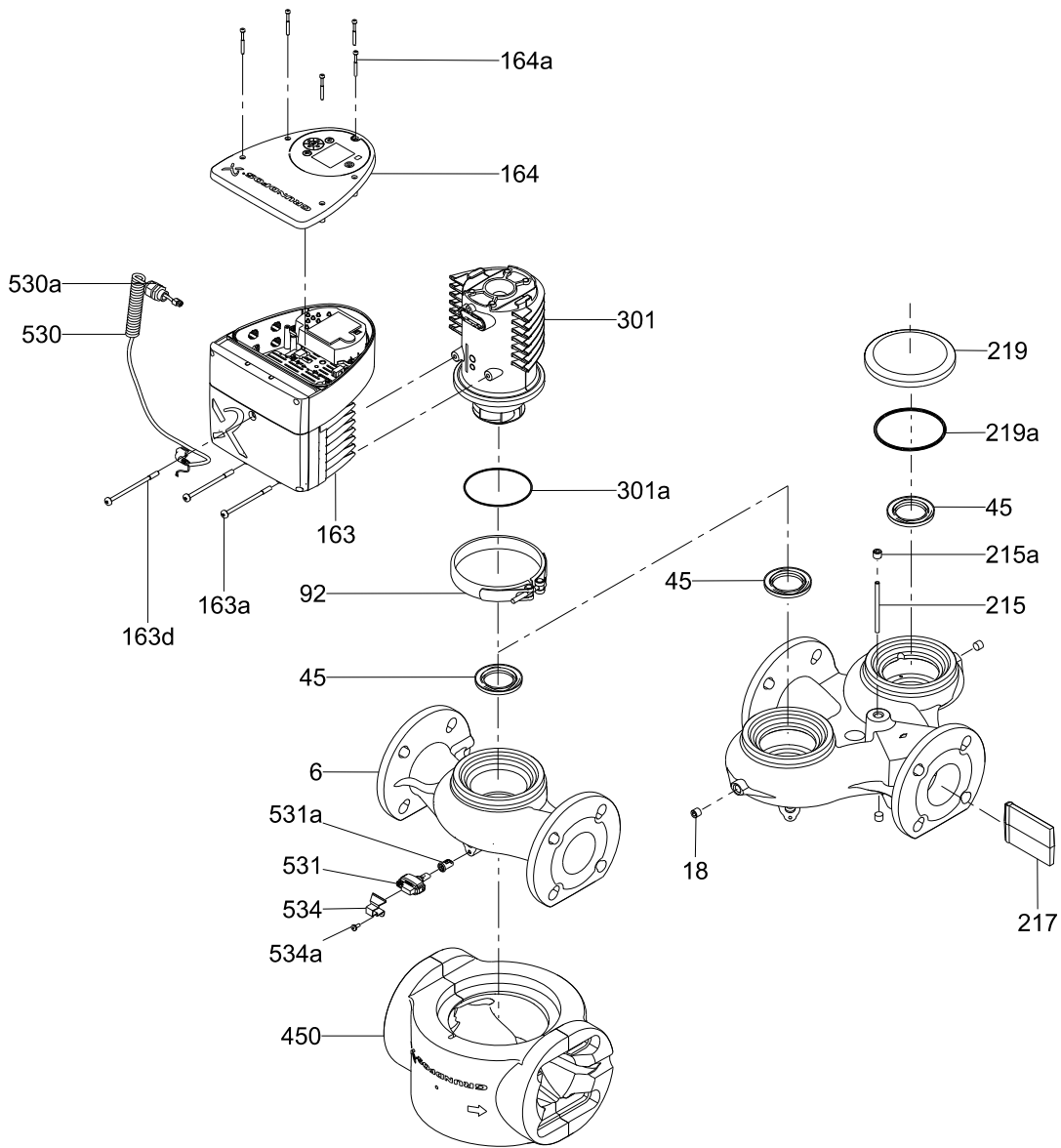
Sensor cable

Pos.	Description/ kit No	98700244
530	Cable	1
530a	Union	1

Two-way flap

Pos	Description	Kit No/pcs
	DN 65	96407256
	DN 80	96407257
	DN 100	96407258
215	Pin	1
217	Rubber flap	1

MAGNA3 terminal-connected versions



TM05 7299 0913