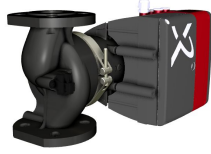


1 **MAGNA3 40-100 F**



MAGNA3 –

, MAGNA3

Grundfos

MAGNA3 -

MAGNA3 -

•

TFT-

CIM-

MAGNA3

• AUTOADAPT (

• FLOWADAPT (

) FLOWLIMIT (

)(

MAGNA3

Grundfos (Grundfos GO Remote)

CIM-

MAGNA3
(-)

4-

: -10 .. 110 °C
: 60 °C
: 983.2 / ³

TF

: 110
: CE,VDE,EAC,CN ROHS

: EN-GJL-250
: ASTM A48-250B
: PES 30%GF

: 0 .. 40 °C

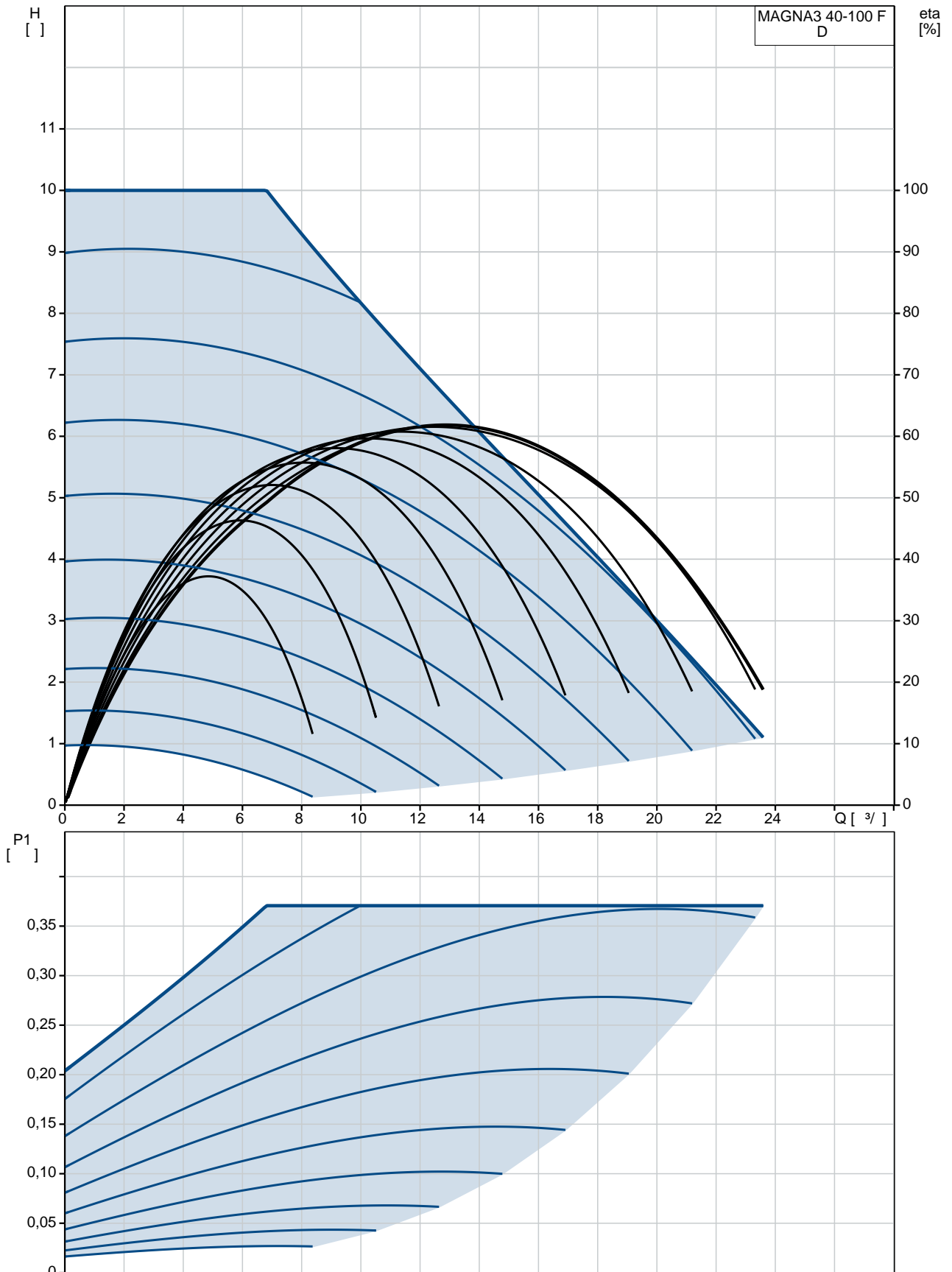
: 10
: DIN
: DN 40
: PN6/10
: 220

: -P1: 18 .. 371
: 50 Hz
: 1 x 230
: 0.2 .. 1.66 A

(IEC 34-5): X4D
(IEC 85): F

: (EEI): 0.18
: 16.4
: 18.1
: 0.04 ³

MAGNA3 40-100 F 50



MAGNA3 40-100 F

EAN :

TF :

100
110
CE, VDE, EAC, CN ROHS
D

EN-GJL-250
ASTM A48-250B
PES 30%GF

0 .. 40 °C

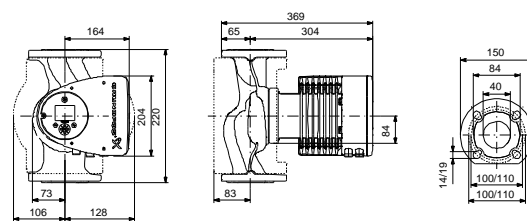
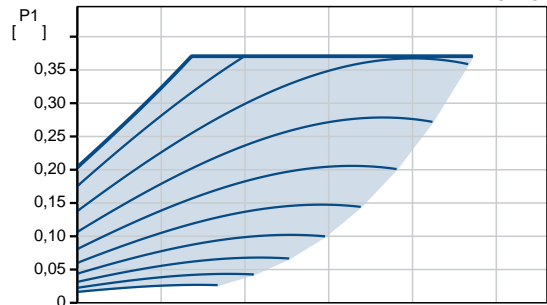
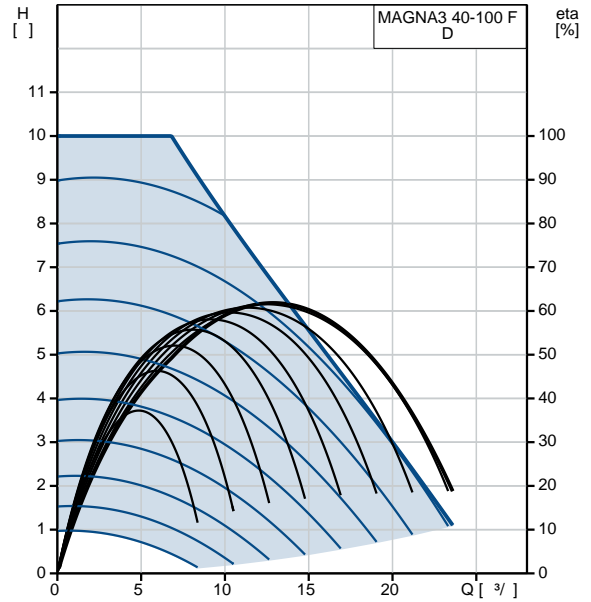
10
DIN
DN 40
PN6/10
220

-10 .. 110 °C
60 °C

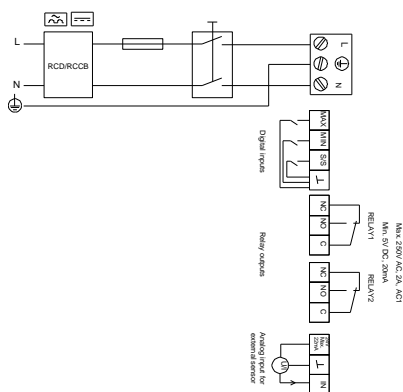
983.2 / ³

-P1: 18 .. 371
50 Hz
1 x 230
0.2 .. 1.66 A
(IEC 34-5): X4D
(IEC 85): F

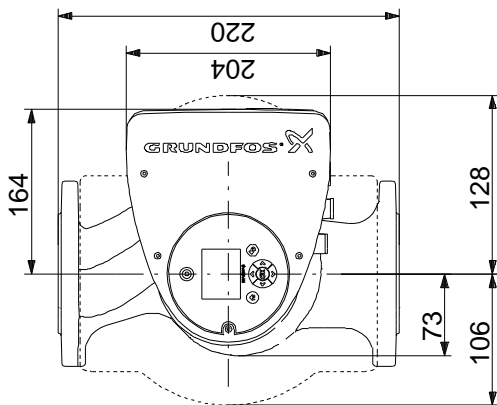
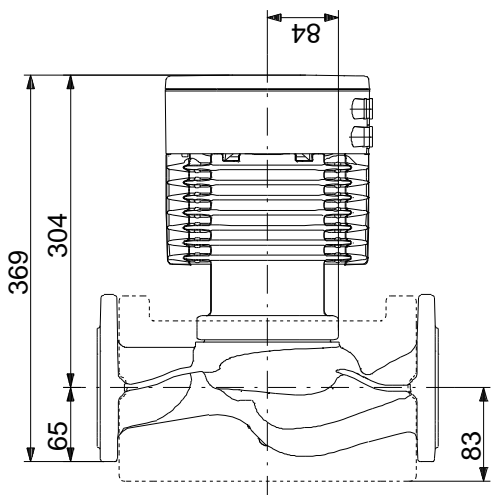
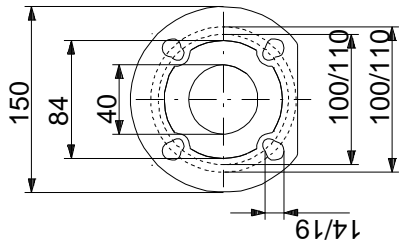
(EEI): 0.18
16.4
18.1
0.04 ³



Example of mains-connected motor with mains switch, backup fuse and additional protection



MAGNA3 40-100 F 50



MAGNA3 40-100 F 50

Example of mains-connected motor with mains switch, backup fuse and additional protection

