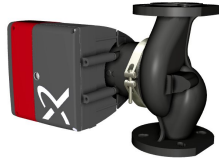


1 **MAGNA3 50-100 F**



MAGNA3 –

, MAGNA3

Grundfos

MAGNA3 -

MAGNA3 -

•

TFT-

CIM-

MAGNA3

• AUTOADAPT (

• FLOWADAPT (

) FLOWLIMIT (

)(

MAGNA3

Grundfos (Grundfos GO Remote)

CIM-

MAGNA3
(-)

4-

: -10 .. 110 °C
: 60 °C
: 983.2 / ³

TF

: 110
: CE,VDE,EAC,CN ROHS

: EN-GJL-250
: ASTM A48-250B
: PES 30%GF

: 0 .. 40 °C

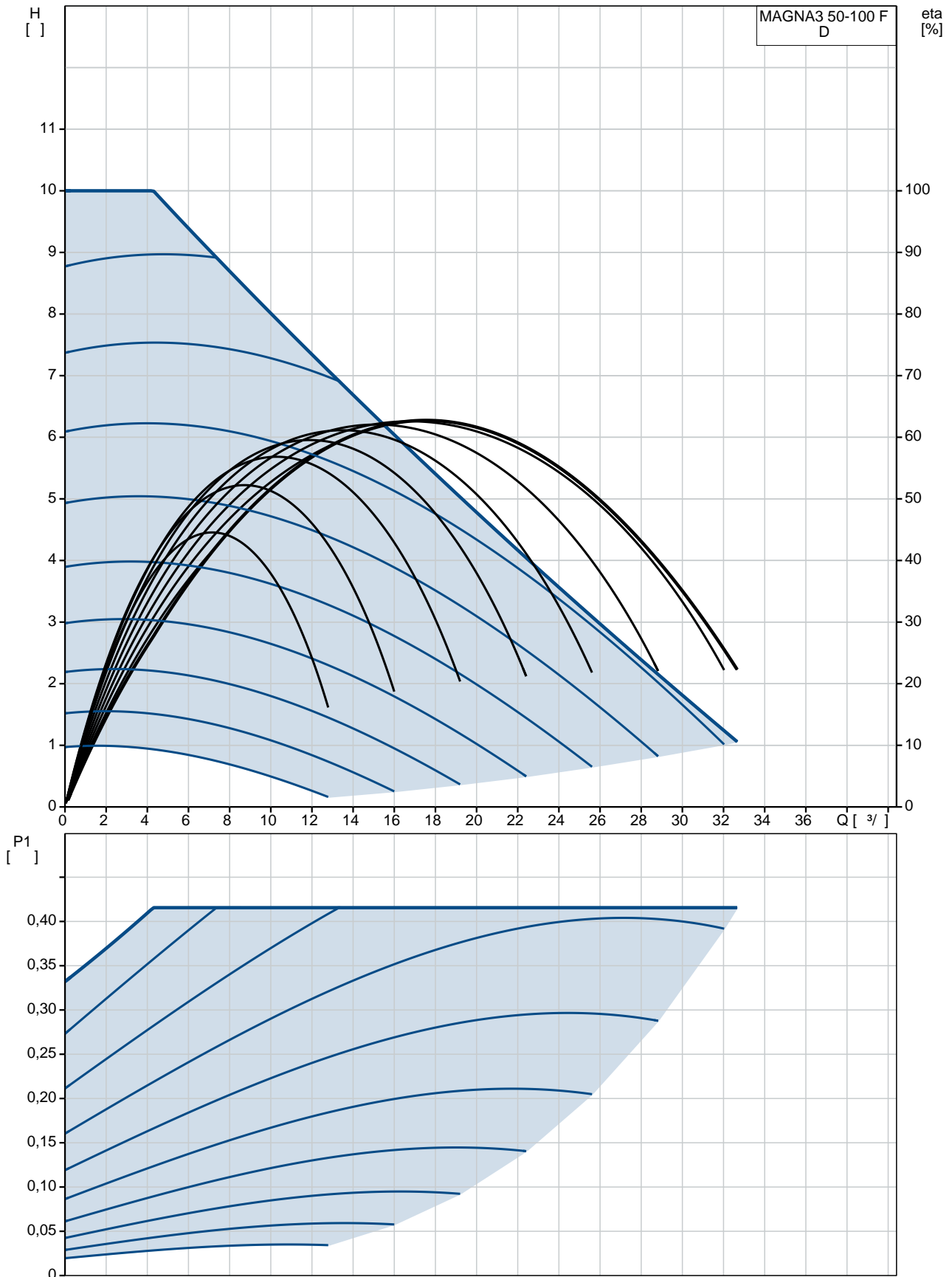
: 10
: DIN
: DN 50
: PN6/10
: 280

: -P1: 21 .. 416
: 50 Hz
: 1 x 230
: 0.22 .. 1.86 A

(IEC 34-5): X4D
(IEC 85): F

: (EEI): 0.18
: 18.2
: 20
: 0.046 ³

MAGNA3 50-100 F 50



MAGNA3 50-100 F

EAN :

TF :

100
110
CE, VDE, EAC, CN ROHS
D

EN-GJL-250
ASTM A48-250B
PES 30%GF

0 .. 40 °C

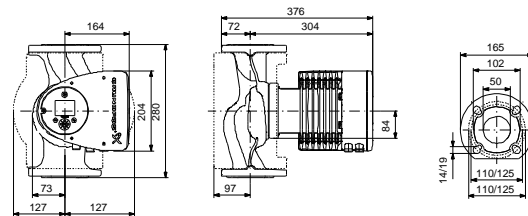
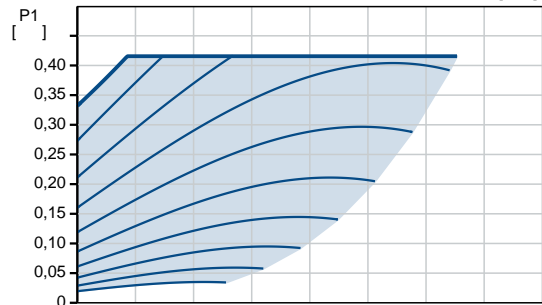
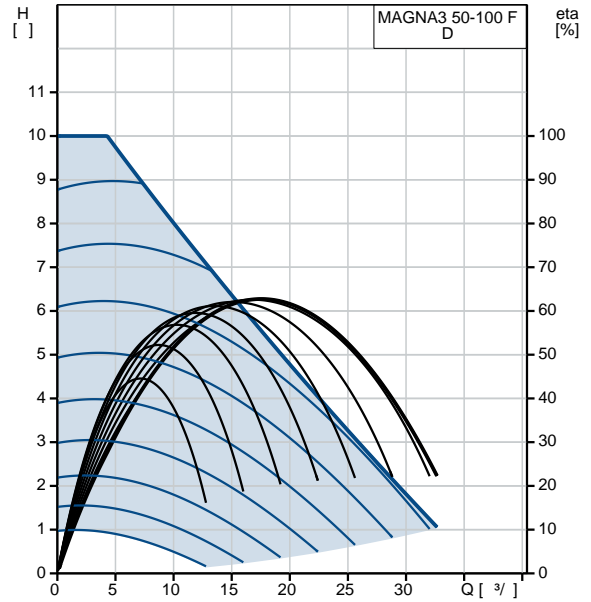
10
DIN
DN 50
PN6/10
280

-10 .. 110 °C
60 °C

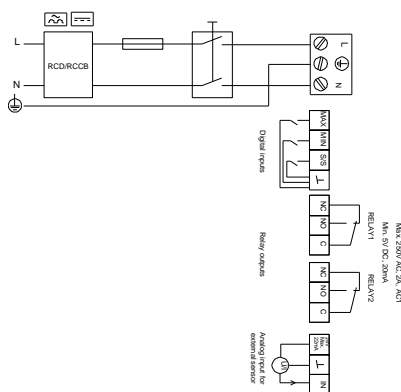
983.2 / ³

-P1: 21 .. 416
50 Hz
1 x 230
0.22 .. 1.86 A
(IEC 34-5): X4D
(IEC 85): F

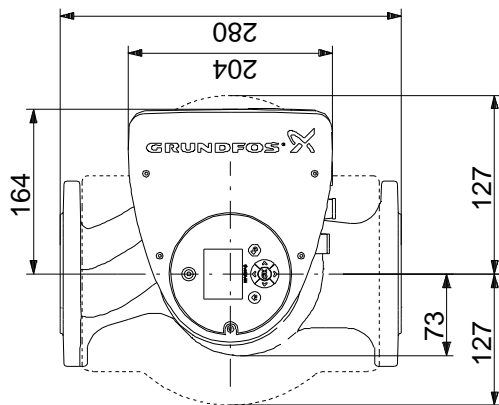
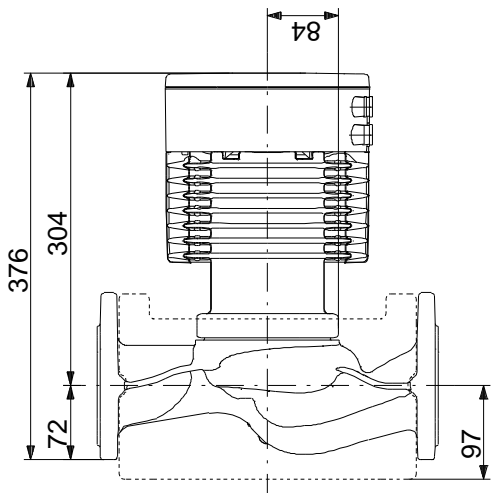
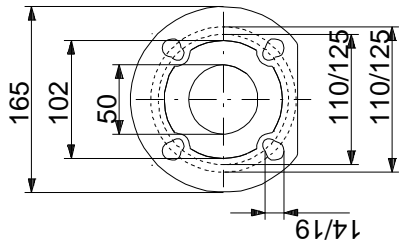
(EEI): 0.18
18.2
20
0.046 ³



Example of mains-connected motor with mains switch, backup fuse and additional protection



MAGNA3 50-100 F 50



! []

MAGNA3 50-100 F 50

Example of mains-connected motor with mains switch, backup fuse and additional protection

