

1 ALPHA2 25-40 180



: 97704990

(ECM)
VDI 2035.

AUTOADAPT

(EEI)

(Energieeinsparverordnung) – EnEV §14(3).

ALPHA2

ALPHA.

: 0 .. 110 °C

TF

110
: VDE,GS,CE

EN-GJL-150
 ASTM A48-150B
 PES 30%GF

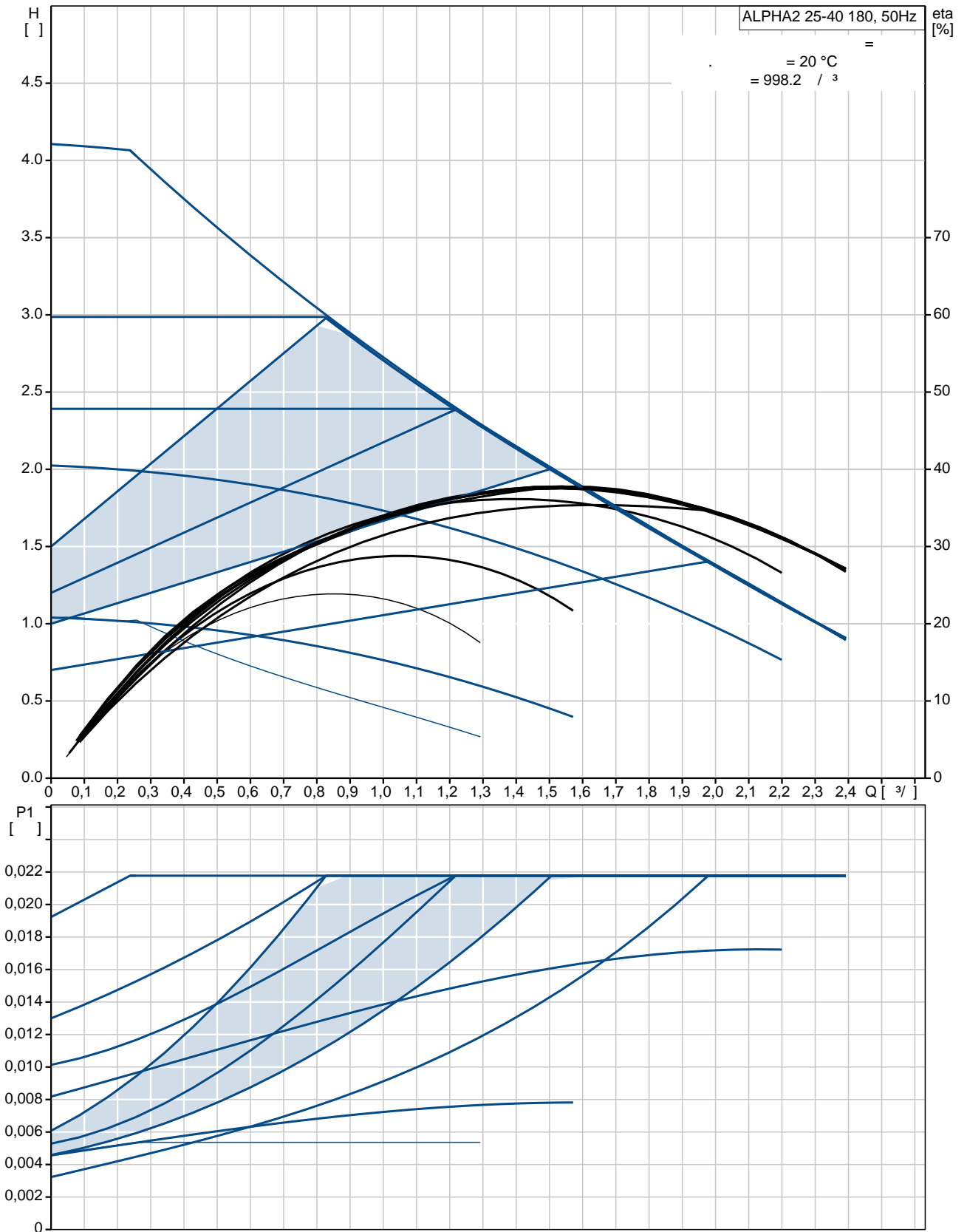
: 0 .. 40 °C

10
 G 1 1/2
 PN 10
 180

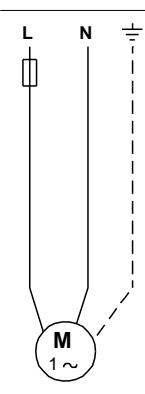
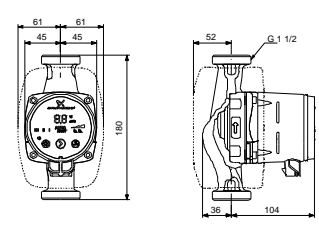
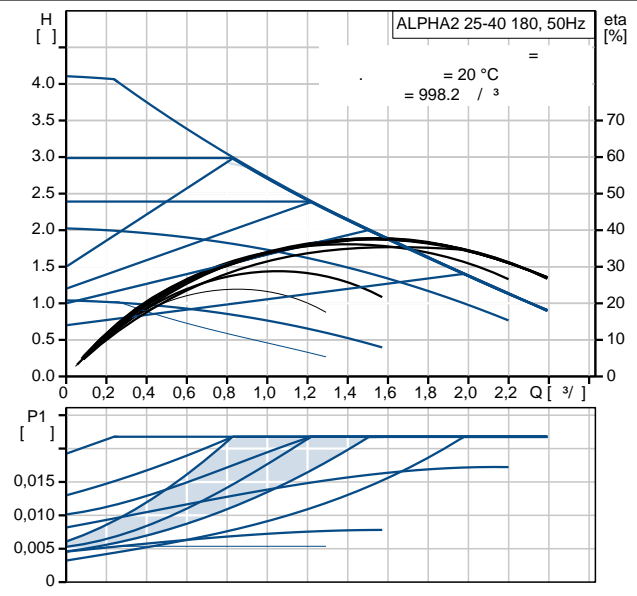
..-P1: 3 .. 18
 : 0.04 .. 0.18 A
 : 50 Hz
 : 1 x 230 V
 (IEC 34-5): X4D
 (IEC 85): F

(EEI): 0.15
 2.01
 2.13
 0.004 3

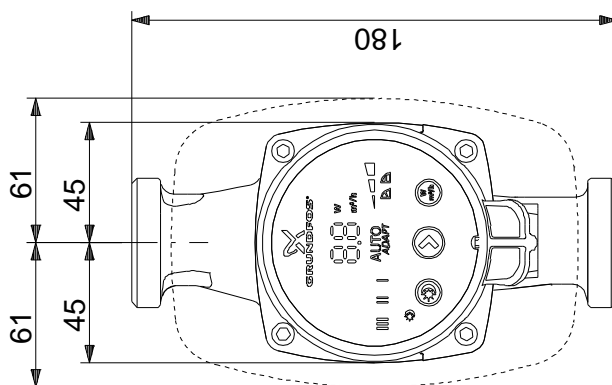
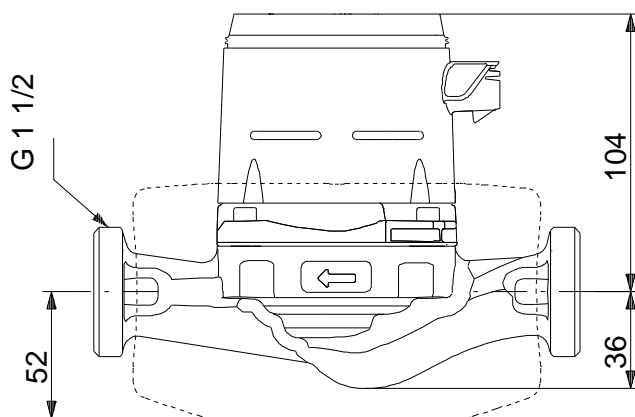
97704990 ALPHA2 25-40 180 50



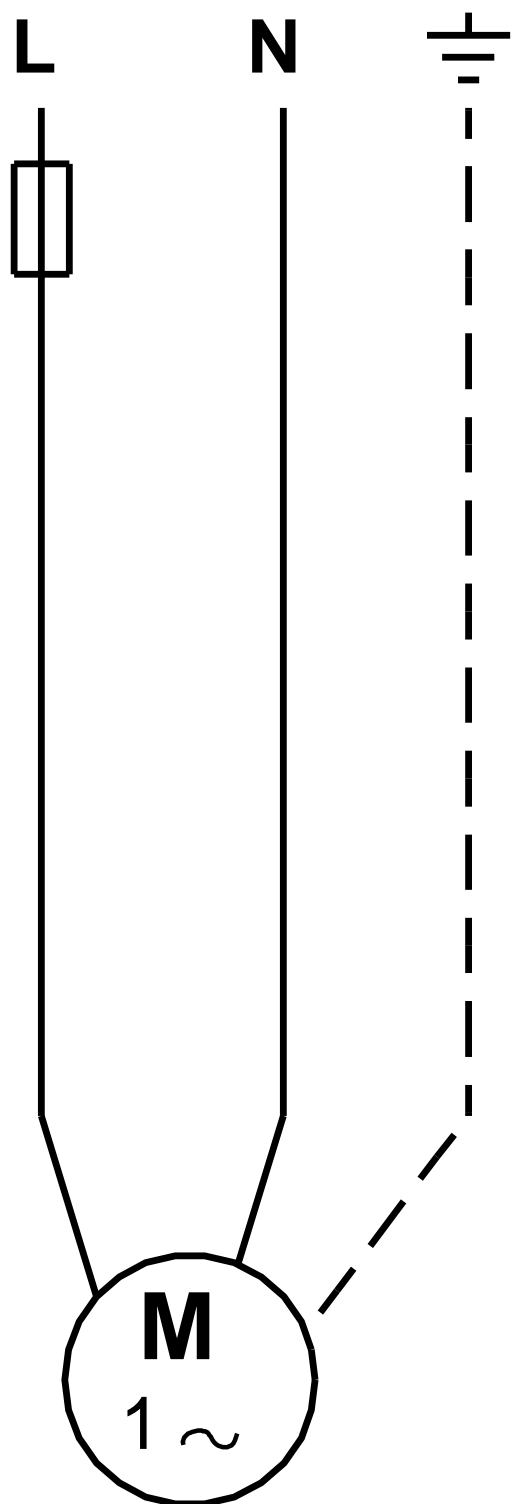
ALPHA2 25-40 180	
97704990	
EAN	5710622373776
40	
TF	110
VDE,GS,CE	
EN-GJL-150	
ASTM A48-150B	
PES 30%GF	
0 .. 40 °C	
10	
G 1 1/2	
PN 10	
180	
0 .. 110 °C	
-P1:	3 .. 18
	0.04 .. 0.18 A
	50 Hz
	1 x 230 V
(IEC 34-5):	X4D
(IEC 85):	F
	ELEC
	6H
(EEI):	0.15
	2.01
	2.13
	0.004 3



97704990 ALPHA2 25-40 180 50



97704990 ALPHA2 25-40 180 50



! []