

1 Unilift AP12.40.08.3



3-
F.

12

10

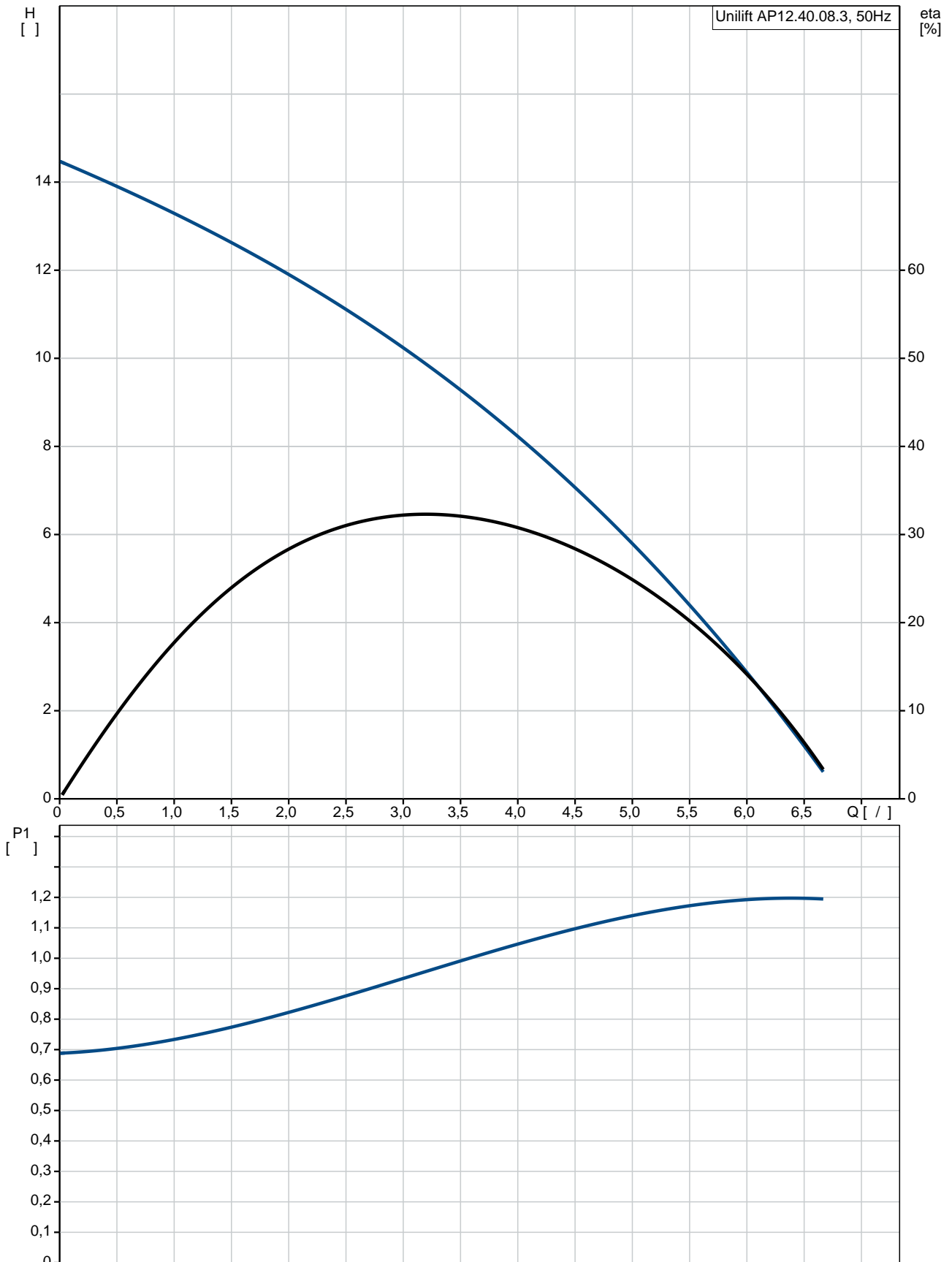
: 0..55 °C
998.2 / 3

: 12

DIN W.-Nr. 1.4301
AISI 304

	:	DIN W.-Nr. 1.4301
		AISI 304
	:	
	:	Rp 1 1/2
		: 7
	:	
		- P1: 1.2
	:	50 Hz
	:	3 x 400
	:	2.1 A
Cos phi -	-	: 0,87
	:	2810 /
	:	(IEC 34-5): IP68
	:	(IEC 85): F
	:	10
	:	NONE
	:	
	:	11.5
	:	12.5
Danish VVS No.:		391314131
Swedish RSK No.:		5880115

Unilift AP12.40.08.3 50



Unilift AP12.40.08.3

EAN :

Ma : 5.83 /

15

12

DIN W.-Nr. 1.4301
AISI 304

DIN W.-Nr. 1.4301
AISI 304

Rp 1 1/2

7

D/S

0 .. 55 °C

998.2 / ³

- P1: 1.2

P2: 0.8

50 Hz

3 x 400

2.1 A

Cos phi - : 0,87

2810 /

(IEC 34-5): IP68

(IEC 85): F

10

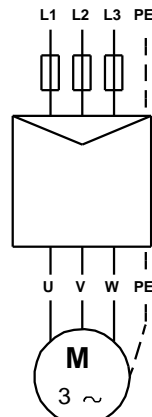
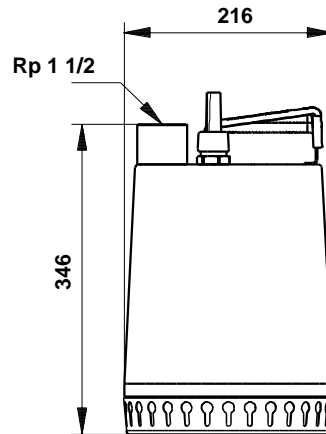
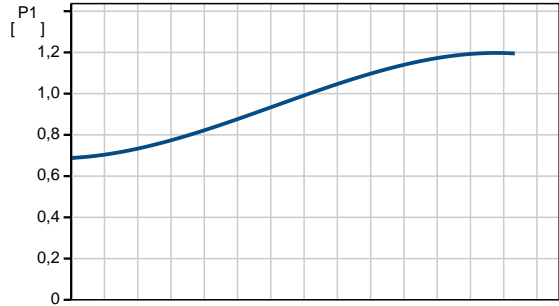
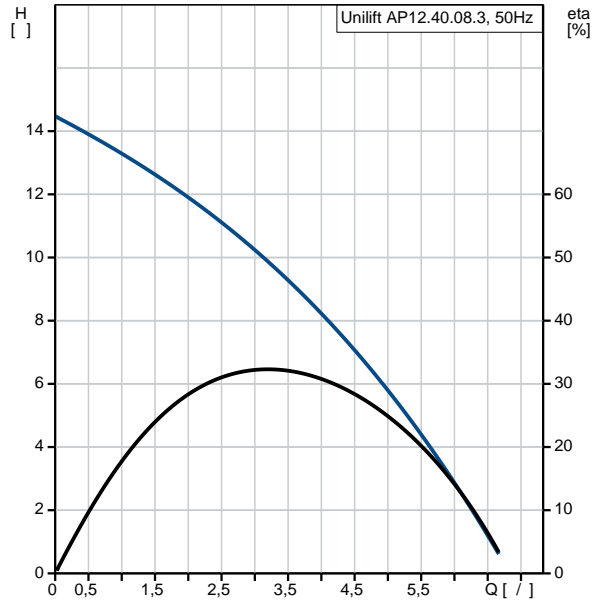
NONE

11.5

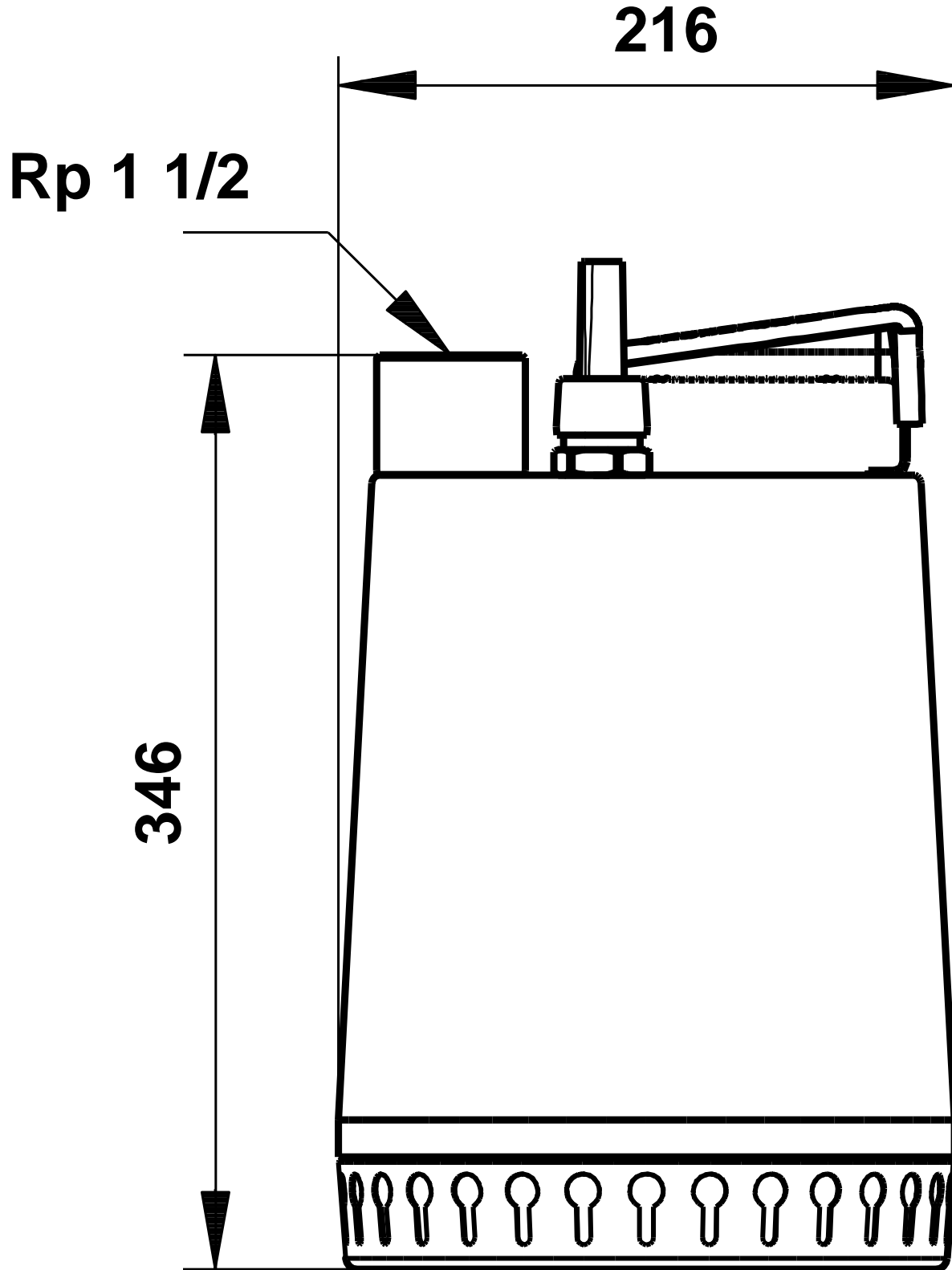
12.5

Danish VVS No.: 391314131

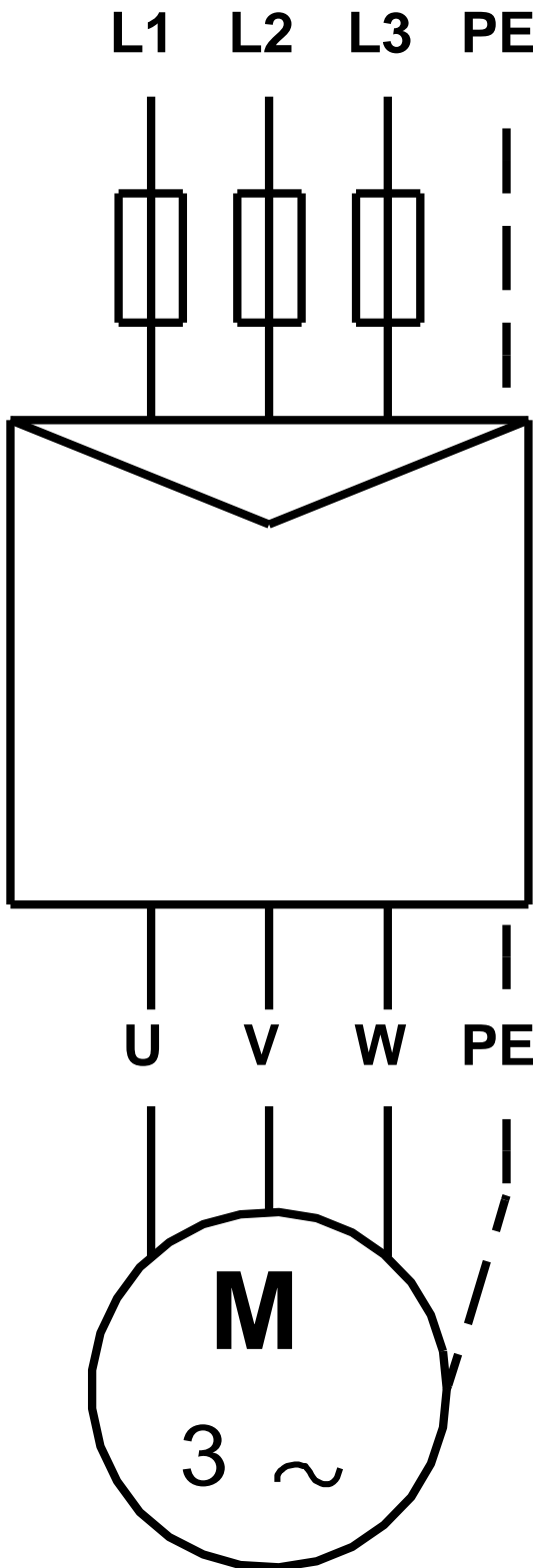
Swedish RSK No.: 5880115



Unilift AP12.40.08.3 50



Unilift AP12.40.08.3 50



! [], .