

1 Unilift AP12.40.04.A1



12

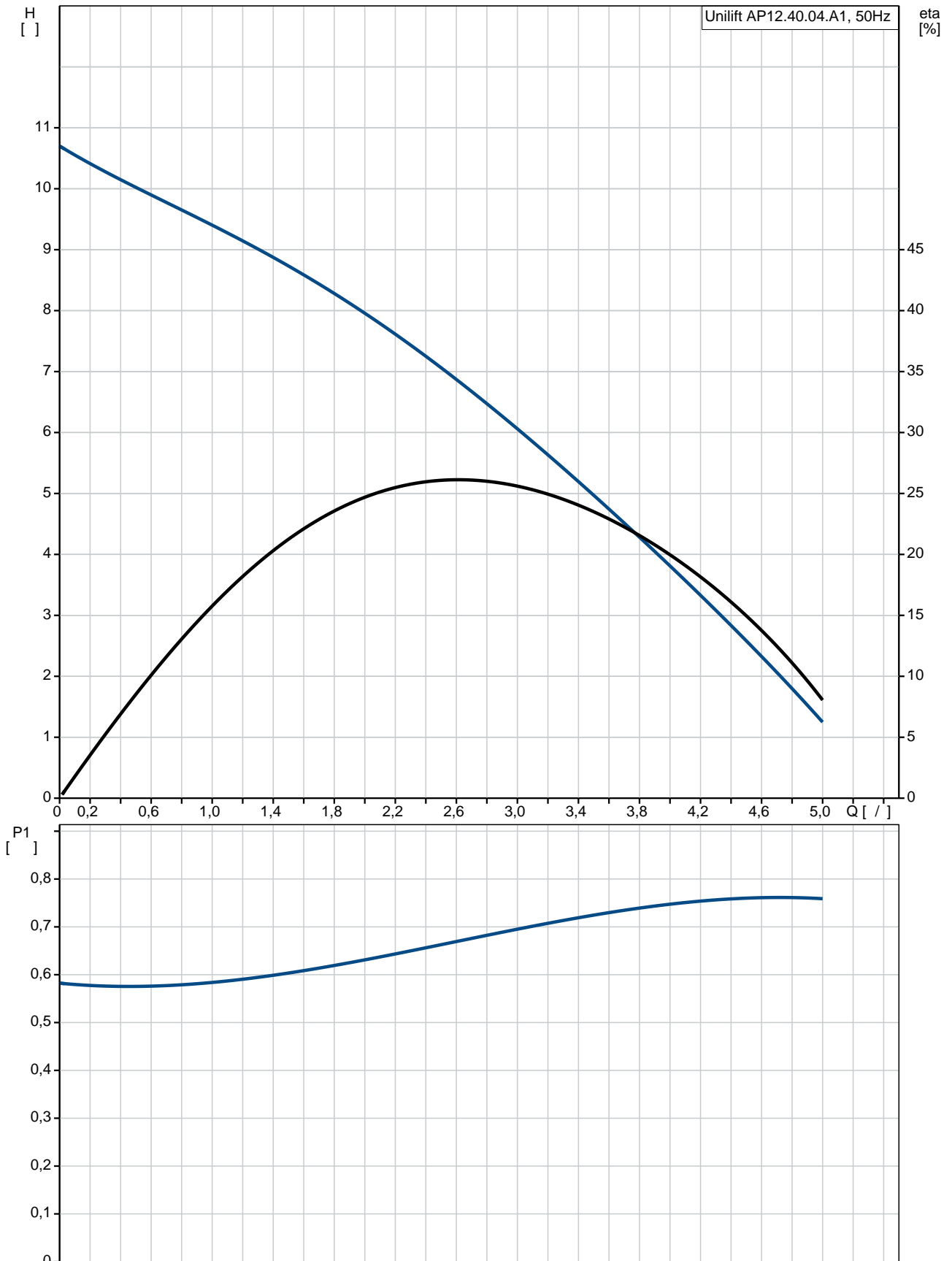
10

: 0..55 °C
998.2 / 3

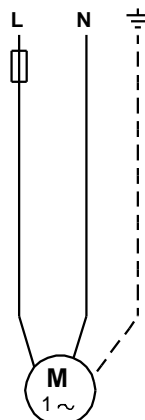
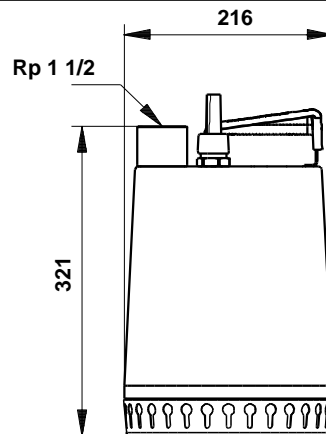
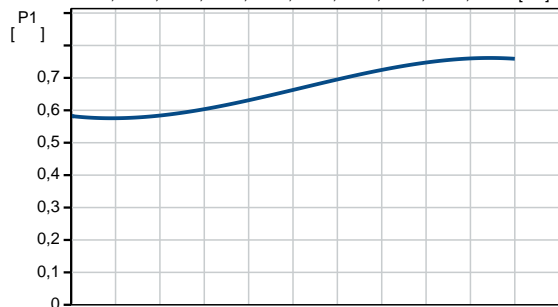
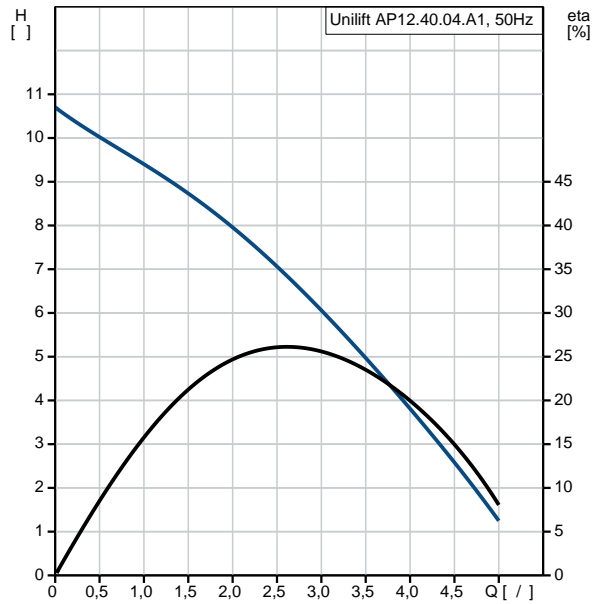
: 12

		DIN W.-Nr. 1.4301
		AISI 304
		DIN W.-Nr. 1.4301
		AISI 304
		Rp 1 1/2
		: 7
		PSC
		- P1: 0.7
		: 50 Hz
		: 1 x 230
		3 A
Cos phi -	-	: 0,99
		: 2770 /
		: 12 /400
	(IEC 34-5):	IP68
	(IEC 85):	F
		10
		SCHUKO
		11.8
		12.3
	Danish VVS No.:	391313301
	Swedish RSK No.:	5885771
	Finnish:	LVI NO 4822511
	Norwegian NRF no.:	NRF NO 9045603

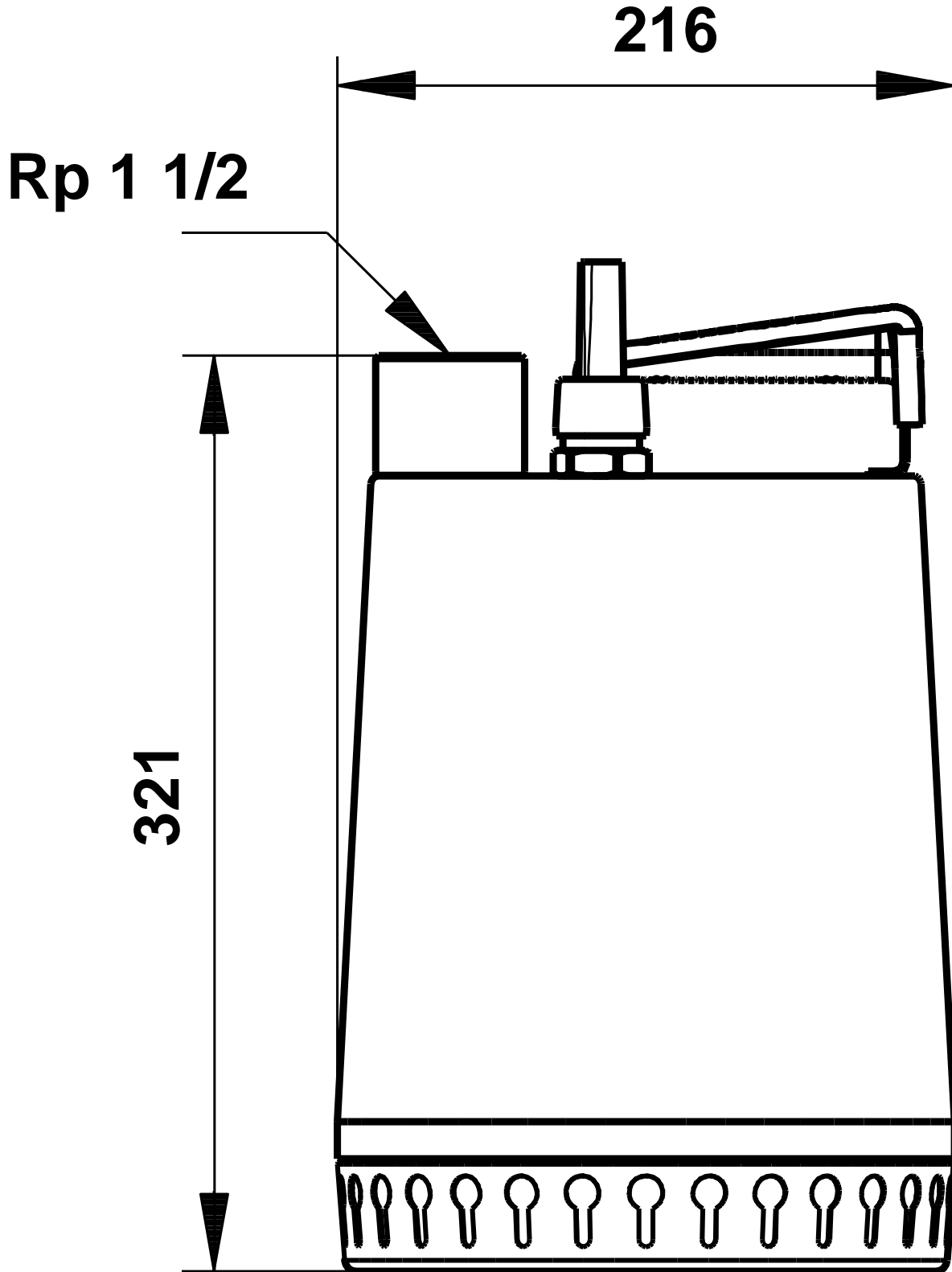
Unilift AP12.40.04.A1 50



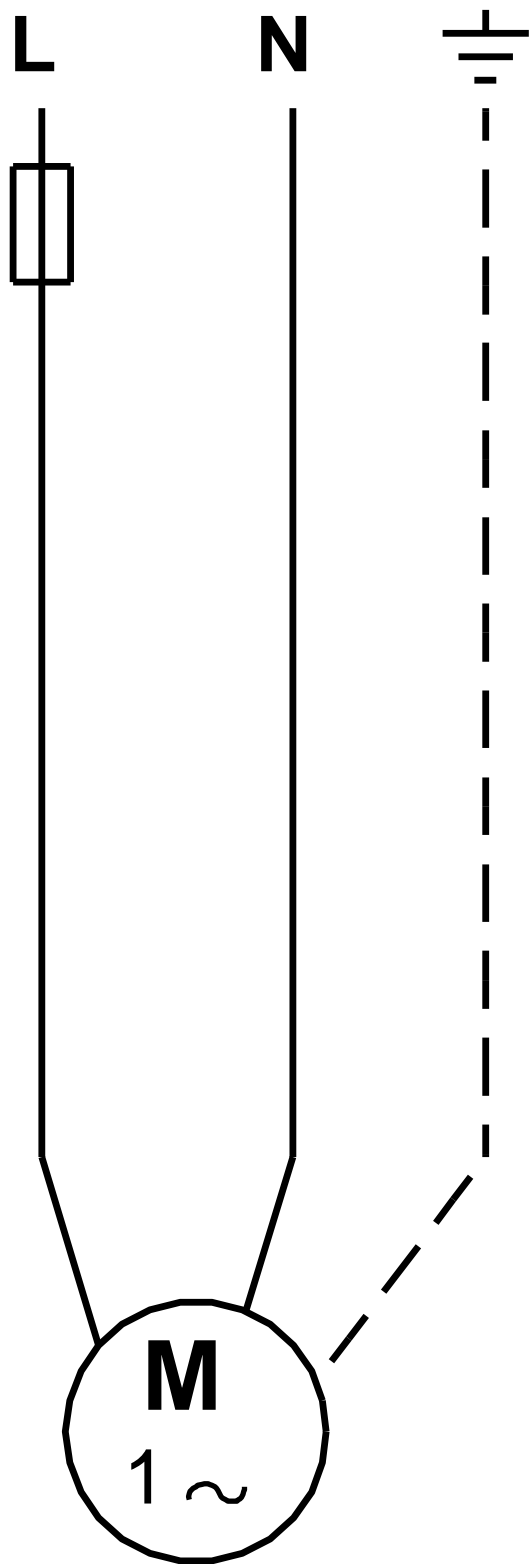
Unilift AP12.40.04.A1	
EAN	
Ma	3.89 / 10
	12
	DIN W.-Nr. 1.4301 AISI 304
	DIN W.-Nr. 1.4301 AISI 304
	Rp 1 1/2
	7
	D/S
	0 .. 55 °C
	998.2 / 3
	PSC
	- P1: 0.7
P2:	0.4
	50 Hz
	1 x 230
	3 A
Cos phi -	0,99
	2770 /
	12 /400
(IEC 34-5):	IP68
(IEC 85):	F
	CONTACT
	10
	SCHUKO
	11.8
	12.3
Danish VVS No.:	391313301
Swedish RSK No.:	5885771
Finnish:	LVI NO 4822511
Norwegian NRF no.:	NRF NO 9045603



Unilift AP12.40.04.A1 50



Unilift AP12.40.04.A1 50



! [], .